

WALL-MOUNTED WASHBASINS VICARE

PRODUCT INFORMATION

1. POSITION



Model	517867
Collection	ViCare
PROJECTS	■ PLUS
Width	650 mm
Depth	550 mm
Weight	20,85 kg
Description	previously Architectura Vita Sanitary ceramics DIN 18040, EN 31, EN 14688 in accordance with DIN 18040
Tap fitting / Tap hole remark	central tap hole punched out
Overflow remark	with overflow
Specification texts	ViCare; Washbasin ViCare; previously Architectura Vita; Sanitary ceramics; Size: 650 x 550 mm; Rectangle; central tap hole punched out; with overflow; DIN 18040, EN 31, EN 14688; in accordance with DIN 18040

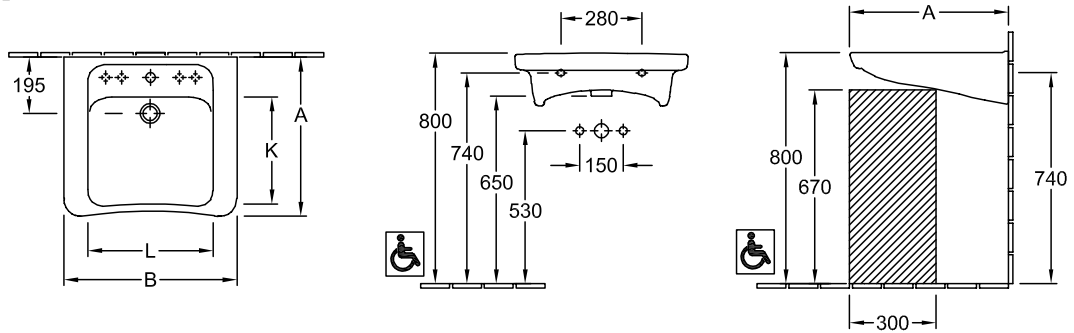
COLOURS

PREVIEW	COLOUR NAME	COLOUR CODE	ARTICLE NUMBER	PRICE
	White Alpin AntiBac CeramicPlus	517867T2	4051202355678	
	White Alpin	51786701	4047289288008	
	White Alpin CeramicPlus	517867R1	4047289288015	

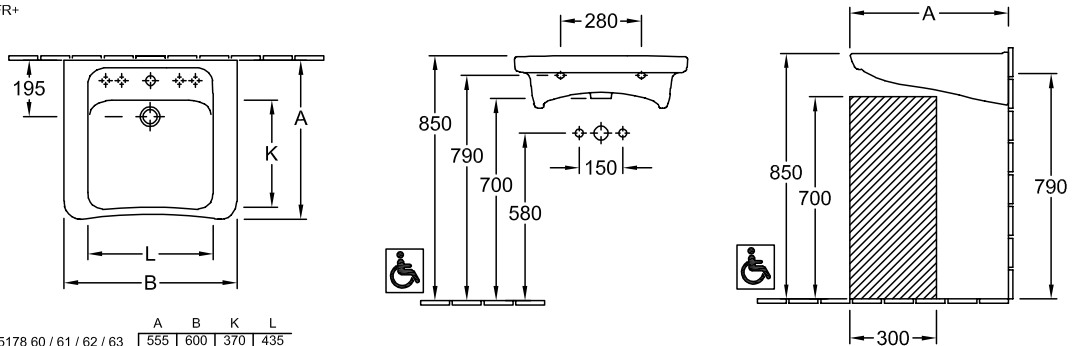
TECHNICAL DRAWINGS

517867

DE



FR+



	A	B	K	L
5178 60 / 61 / 62 / 63	555	600	370	435
5178 65 / 66 / 67 / 68	550	650	375	480