

Finoris

Pillar tap 100 for cold water without waste set

Surfaces: **Chrome** Article Number: **76013000**



Description

product features

- ComfortZone 100
- projection 126 mm
- spray type: laminar spray
- maximum flow rate at 3 bar: 5 l/min
- ceramic cartridge
- for cold water connection
- connection type: G 3/8 connection hose
- connection dimension: DN15

Technology



Design awards

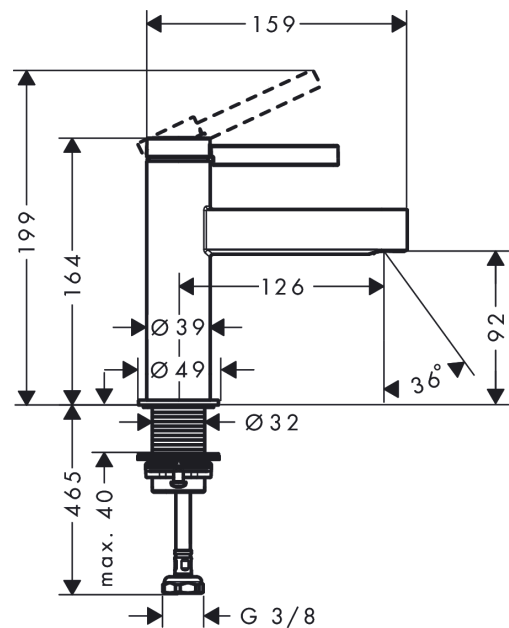


reddot winner 2021

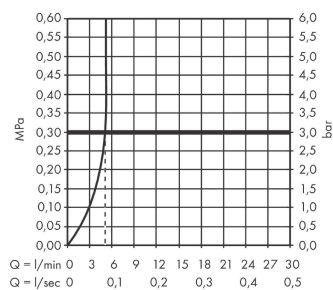
Product image



Scale drawing



Flowchart

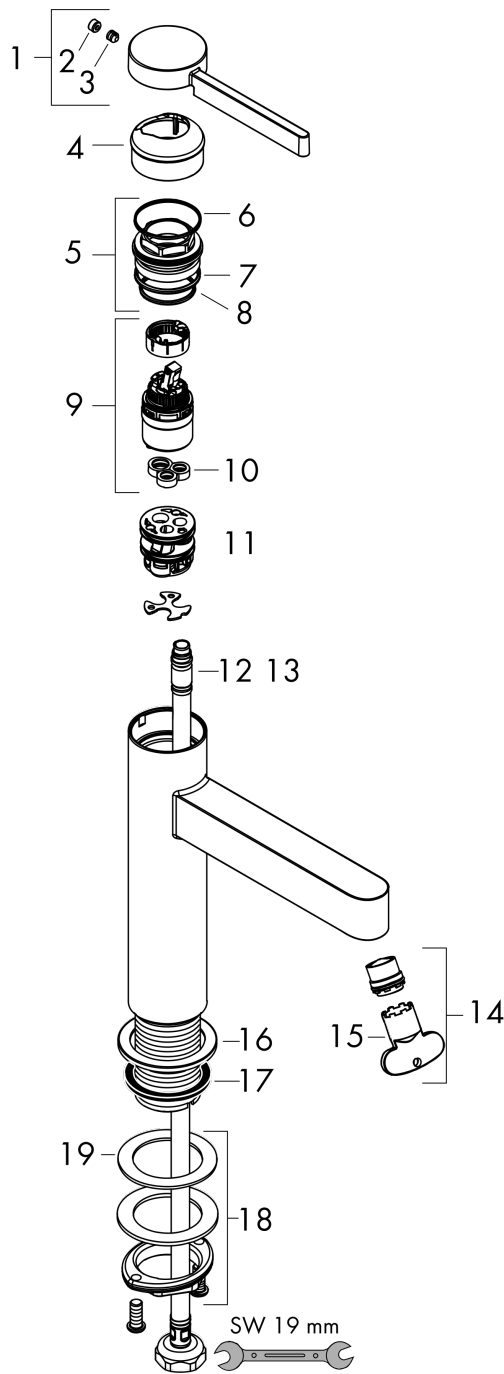


Finoris
Pillar tap 100 for cold water without waste set
 Surfaces: **Chrome** Article Number: **76013000**



Exploded Drawing

Year of production: >06/21



Finoris

Pillar tap 100 for cold water without waste set

Surfaces: **Chrome** Article Number: **76013000**



Spare part list

Year of production: >06/21

Pos.	Description	Article Number	Price	PU
1	handle	94287000	-	1
2	screw cover	93735460	-	1
3	hollow set screw M5x5	98446000	-	1
4	flange	93737000	-	1
5	nut	92926000	-	1
6	O-ring 30x1,5	98433000	-	1
7	O-ring 29x2	98391000	-	1
8	O-ring 25x1,5	98146000	-	1
9	cartridge, assy	93760000	-	1
10	seal	93383000	-	1
11	adapter for cartridge	98866000	-	1
12	connection hose 600 mm M8x0,75 G3/8	96556000	-	1
13	O-ring 6,6x1,6	93019000	-	1
14	spray former	93973000	-	1
15	special tool	98987000	-	1
16	escutcheon	94265000	-	1
17	flat seal	98749000	-	1
18	fixing set (Ø 32)	13961000	-	1
19	lever collar	97548000	-	1
a	fixation extension 35 mm	13898000	-	1