

Date:

Client:

Project:

VOLA product: FS2



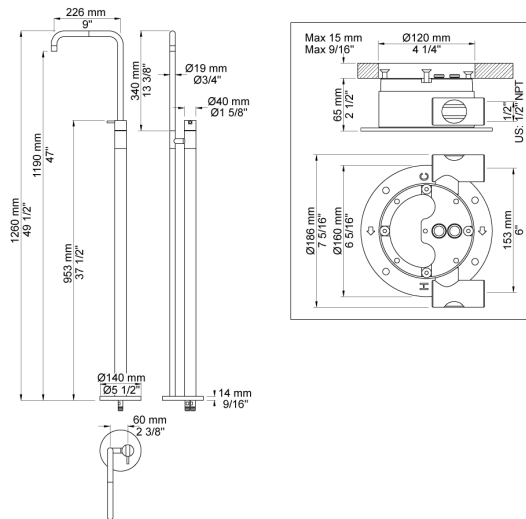
**FS2**

Free-standing wash basin mixer. Height 1260 mm. FS2 UP = Build-in part for free-standing wash basin mixer. FS2 AP = Trim part for free-standing wash basin mixer. If the floor covering is greater than 15 mm, extensions should be specified when ordering the FS2. All extensions supplied with the FS2 are free of charge.

**Flow**

	Bar:	1.0	2.0	3.0	4.0	5.0
FS2	(l/min)	2.9	4.1	5.0	5.0	5.0
FS2 <sup>1)</sup>	(l/min)	2.6	3.7	4.5	4.5	4.5

<sup>1)</sup> USA standard



**Available in colors**

- Color 02, Grey
- Color 04, Light blue
- Color 05, Orange
- Color 06, Light green
- Color 08, Yellow
- Color 09, Dark grey
- Color 12, Mocca
- Color 14, Bright red
- Color 15, Dark blue
- Color 16, Polished chrome
- Color 17, Gloss black
- Color 18, White
- Color 19, Natural brass
- Color 20, Brushed chrome
- Color 21, Carmine red
- Color 25, Pink
- Color 27, Matt black
- Color 40, Brushed stainless steel

