

**AXOR Uno**  
**Single lever bath mixer for concealed installation zero handle**  
 Surfaces: **Brushed Nickel** Article Number: **45405820**



## Description

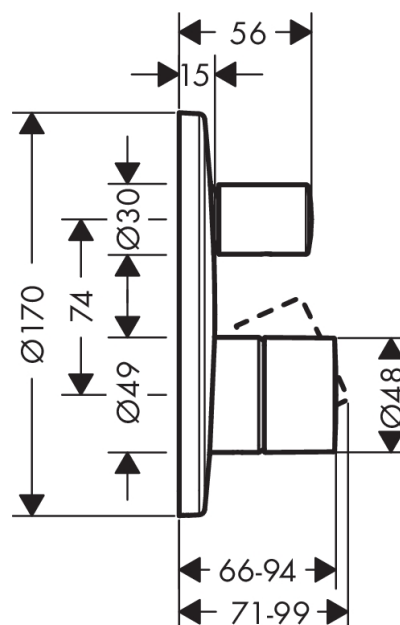
### product features

- connection type: basic set
- ceramic cartridge
- min. operating pressure: 1 bar
- max. operating pressure: 10 bar
- temperature limitation adjustable
- with automatic resetting
- with silencer
- suitable for continuous flow water heaters

## Product image



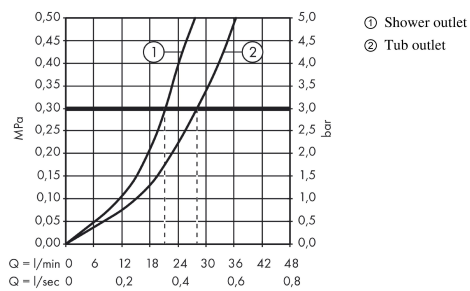
## Scale drawing



**AXOR Uno**  
**Single lever bath mixer for concealed installation zero handle**  
Surfaces: **Brushed Nickel** Article Number: **45405820**



## Flowchart

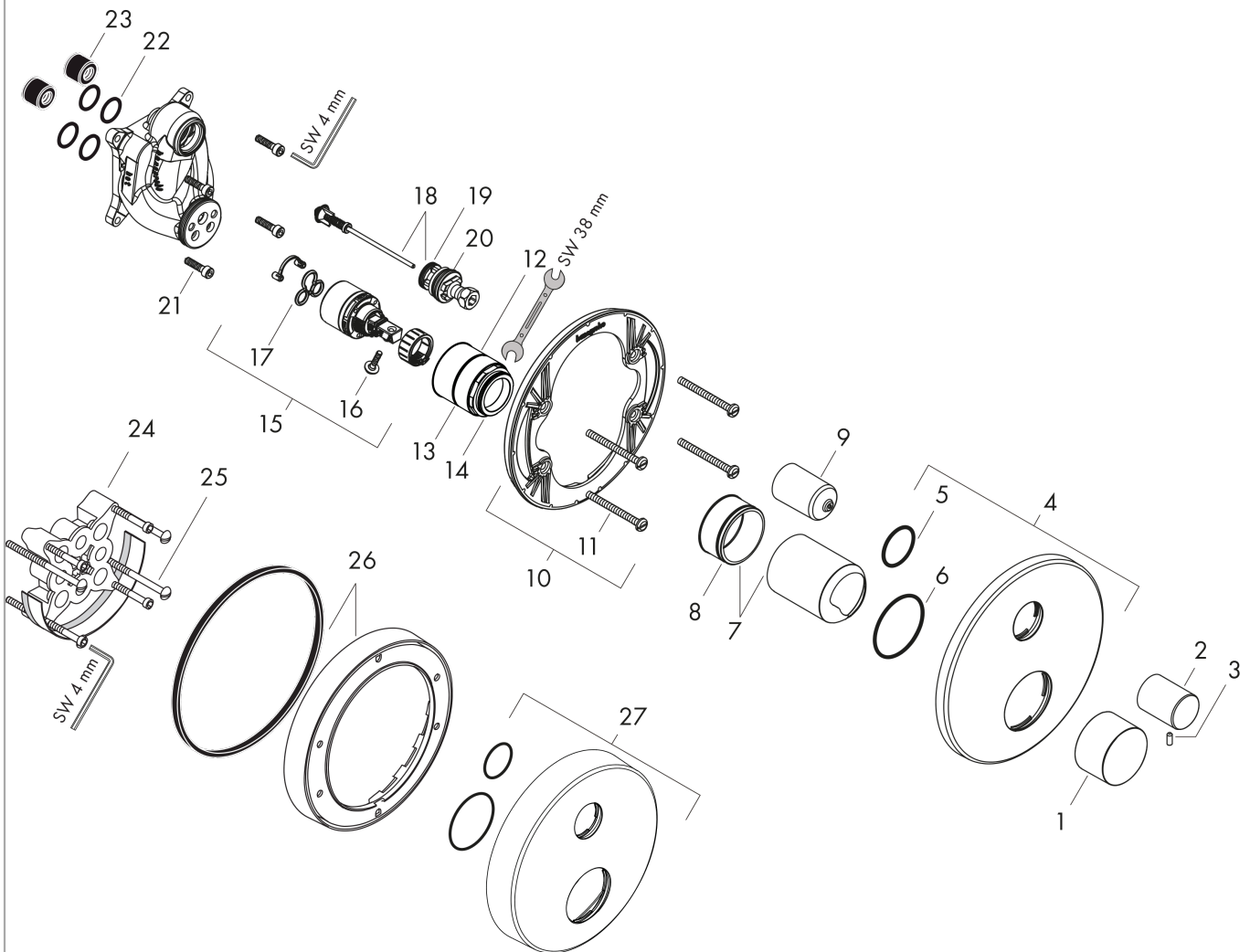


**AXOR Uno**  
**Single lever bath mixer for concealed installation zero handle**  
 Surfaces: **Brushed Nickel**    Article Number: **45405820**



## Exploded Drawing

Year of production: >04/17



**AXOR Uno**  
**Single lever bath mixer for concealed installation zero handle**  
 Surfaces: **Brushed Nickel** Article Number: **45405820**



## Spare part list

Year of production: >04/17

Pos.	Description	Article Number	PC	PU
1	handle	93038820	0	1
2	diverter knob	96473820	0	1
3	hollow set screw M4x10	97667000	0	1
4	escutcheon Ø 170 mm	95806820	0	1
5	O-Ring 48x3	95508000	0	1
6	O-ring 29x3	98371000	0	1
7	flange	98684820	0	1
8	O-ring 43x1,5	98148000	0	1
9	sleeve	96448820	0	1
10	sub plate	96447000	0	1
11	set of fixing screws	96454000	0	1
12	nut	98796000	0	1
13	O-ring 30x1,5	98433000	0	1
14	O-ring 39x1,5	98400000	0	1
15	cartridge, assy	92730000	0	1
16	locking screw for handle	95140000	0	1
17	seal	95008000	0	1
18	selector assy	95014000	0	1
19	O-ring 17x2	98199000	0	1
20	O-ring 20x2,5	92602000	0	1
21	set of screws	96525000	0	1
22	O-ring 16x2	98133000	0	1
23	noise reduction	94073000	0	1
24	extension 25 mm	13595000	0	1
25	set of fixing screws	97747000	0	1
26	extension 22 mm (Ø 170 mm)	13596820	0	1
27	escutcheon height = 33 mm (when wall is not deep enough).	14961820	0	1
a	concealed item	01800180	0	1
b	adapter for exchanged connections	93181000	0	1