

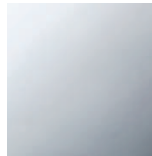
Bath - Meta

Bath shower set for bath rim or tile edge installation - polished chrome

Article number: 27 632 661-00

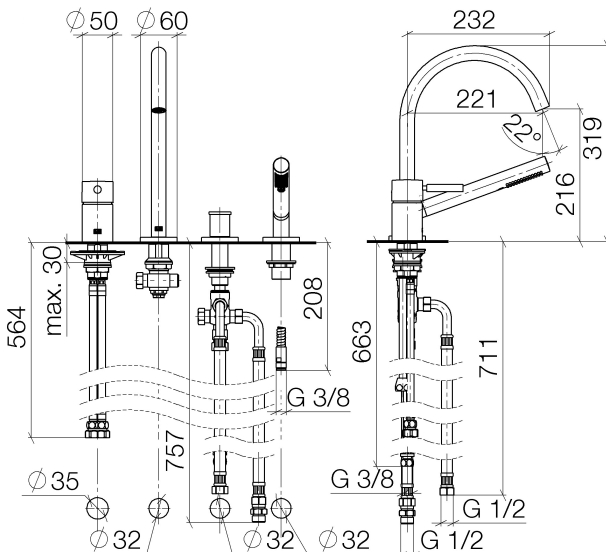


- height of mixer 319 mm
- 221 mm projection
- height up to aerator 216 mm
- spout: circular, air-enriched flow
- automatic bath/shower diverter
- hole diameter spout 32 mm
- hole diameter single-lever mixer 35 mm
- hole diameter for complete hand shower set 32 mm
- max. flow for complete hand shower set 6.8 l/min
- metal shower hose 1750mm with integrated anti-twist protection
- rosette for single-lever mixer Ø 55mm
- rosette for complete hand shower set Ø 60mm
- complete hand shower set with anti-scale system
- complete hand shower set: normal flow
- rosette for spout Ø 60mm
- max. flow 23.5 l/min at 3 bar flow pressure
- Intrinsic protection against back flow.



polished chrome

Dimensional drawing



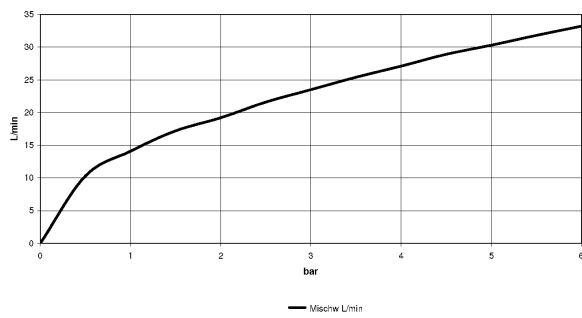
All details in mm / inch = mm x 0.0394

Bath - Meta

Bath shower set for bath rim or tile edge installation - polished chrome

Article number: 27 632 661-00

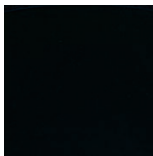
Flow rate chart



Other finish variants



platinum matt
27 632 661-06



matt black
27 632 661-33



Cyprum
27 632 661-49

Other finishes on request (x-tra Service)



Bath - Meta

Bath shower set for bath rim or tile edge installation - polished chrome

Article number: 27 632 661-00

Recommended miscellaneous



12 614 970 90

Perfecto installation kit -



12 801 970-00

Decorative caps for Perfecto -
polished chrome