

**AXOR Uno**  
**Single lever basin mixer floor-standing loop handle without waste set**  
 Surfaces: **Polished Brass** Article Number: **38037930**



## Description

### product features

- projection 266 mm
- normal spray
- flow rate at 3 bar: 5 l/min
- ceramic cartridge
- temperature limitation adjustable
- suitable for continuous flow water heaters
- connection dimension: DN15

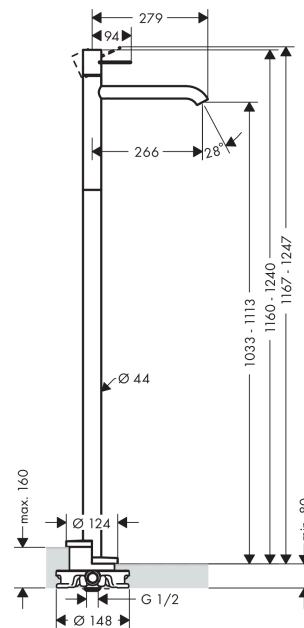
## Technology



## Product image



## Scale drawing



**AXOR Uno**  
**Single lever basin mixer floor-standing loop handle without waste set**  
Surfaces: **Polished Brass** Article Number: **38037930**



## Flowchart



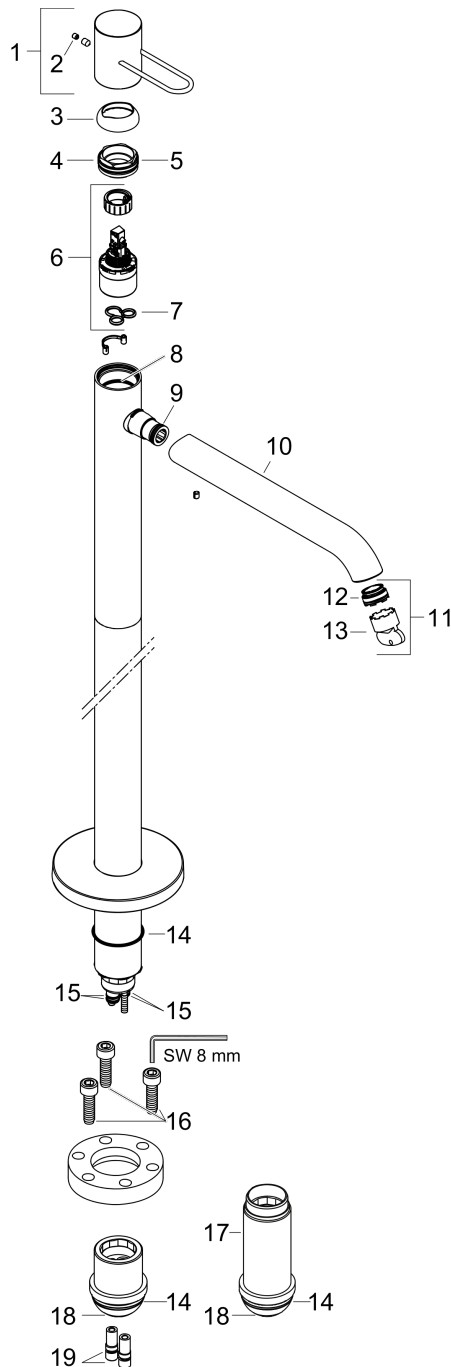
- ① With flow limiter
- ② Without flow limiter

**AXOR Uno**  
**Single lever basin mixer floor-standing loop handle without waste set**  
 Surfaces: **Polished Brass** Article Number: **38037930**



## Exploded Drawing

Year of production: >04/17



**AXOR Uno**  
**Single lever basin mixer floor-standing loop handle without waste set**  
 Surfaces: **Polished Brass** Article Number: **38037930**



## Spare part list

Year of production: >04/17

Pos.	Description	Article Number	PC	PU
1	handle	93055930	0	1
2	screw cover	96338000	0	1
3	flange	92965930	0	1
4	nut	92966000	0	1
5	O-ring 33x1,5	98164000	0	1
6	cartridge, assy	92730000	0	1
7	seal	95008000	0	1
8	O-ring 35x2	92604000	0	1
9	O-ring 16x2	98133000	0	1
10	spout cpl.	93058930	0	1
11	aerator M24x1 (5 l/min)	92895000	0	1
12	O-ring 20x1,5	98197000	0	1
13	special tool	95290000	0	1
14	O-ring 44x2,5	98162000	0	1
15	O-ring 10x1,5	98123000	0	1
16	hexagon socket screw M10x35	97670000	0	1
17	extension set 60 mm	97686000	0	1
18	O-ring 29x3	98371000	0	1
19	O-ring 7x2	98419000	0	1