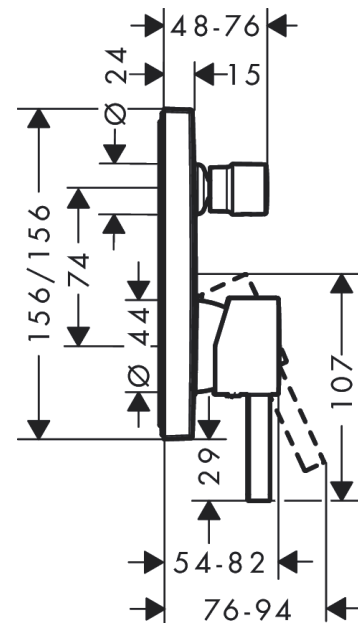


Finoris**Single lever bath mixer for concealed installation for iBox universal**Surfaces: **Chrome** Article Number: **76415000****Description****product features**

- 2 functions
- connection type: basic set
- flow rate upper outlet: 21 l/min
- flow rate lower outlet: 29 l/min
- maximum flow rate at 3 bar: 28 l/min
- flow rate for bath spout at 3 bar: 28 l/min
- flow rate of hand shower at 3 bar: 21 l/min
- min. operating pressure: 1 bar
- max. operating pressure: 10 bar
- ceramic cartridge
- temperature limitation adjustable
- diverter with automatic resetting
- with silencer

Design awards

reddot winner 2021

Product image**Scale drawing**

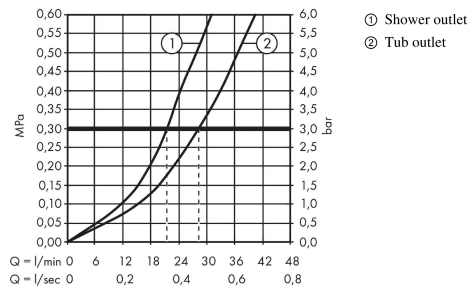
Finoris

Single lever bath mixer for concealed installation for iBox universal

Surfaces: **Chrome** Article Number: **76415000**



Flowchart

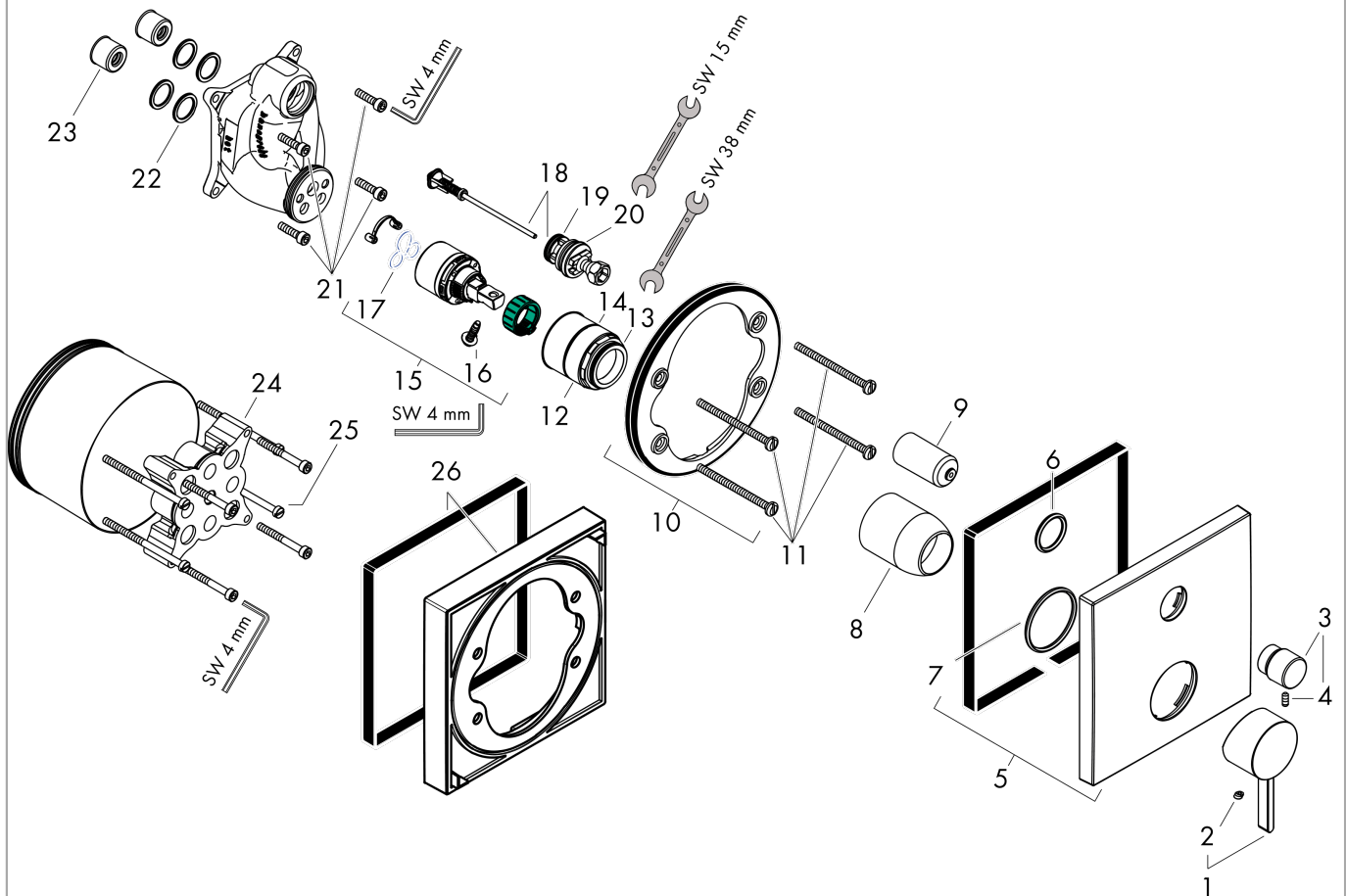


Finoris
Single lever bath mixer for concealed installation for iBox universal
 Surfaces: **Chrome** Article Number: **76415000**



Exploded Drawing

Year of production: >06/21



Finoris

Single lever bath mixer for concealed installation for iBox universal

Surfaces: **Chrome** Article Number: **76415000**



Spare part list

Year of production: >06/21

Pos.	Description	Article Number	Price	PU
1	handle	94298000	-	1
2	screw cover	96338000	-	1
3	diverter knob	98795000	-	1
4	hollow set screw M4x10	97667000	-	1
5	escutcheon 155 / 155 mm	94302000	-	1
6	O-ring 23x3	98142000	-	1
7	O-ring 43x3	98418000	-	1
8	sleeve	98790000	-	1
9	sleeve	98794000	-	1
10	holder for escutcheon	98793000	-	1
11	set of fixing screws	96454000	-	1
12	nut	98796000	-	1
13	O-ring 30x1,5	98433000	-	1
14	O-ring 39x1,5	98400000	-	1
15	cartridge, assy	92730000	-	1
16	locking screw for handle	95140000	-	1
17	seal	95008000	-	1
18	selector assy	95014000	-	1
19	O-ring 16x2,3	98207000	-	1
20	O-ring 20x2,5	92602000	-	1
21	set of screws	96525000	-	1
22	O-ring 16x2	98133000	-	1
23	noise reduction	94073000	-	1
24	extension 25 mm	13595000	-	1
25	set of fixing screws	97747000	-	1
26	extension 22 mm	13593000	-	1