

Vernis Blend

Pillar tap 70 for cold water without waste set

Surfaces: **Matt Black** Article Number: **71583670**



Description

product features

- ComfortZone 70
- projection 93 mm
- spray type: normal spray
- maximum flow rate at 3 bar: 5 l/min
- ceramic valves 90°
- for cold water connection
- connection type: G 3/8 connections
- connection dimension: DN15

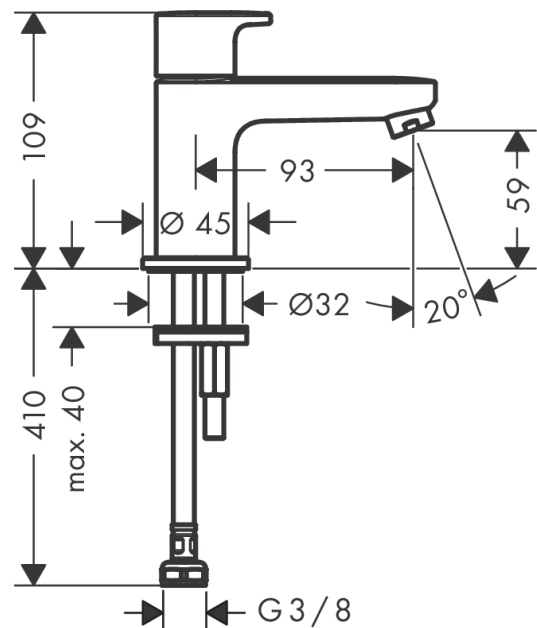
Technology



Product image



Scale drawing



Flowchart

