

**AddStoris**  
**Sanitary bag dispenser**

Surfaces: **Chrome** Article Number: **41773000**



**Description**

**product features**

- wall-mounted
- adhesive attachment, screw fastening
- material: plastic
- suitable for: customary sanitary bag boxes
- easy removal of the lid for easy filling
- with mounting material
- concealed fastening
- drilling distance: 90 mm
- diameter drill hole: 6 mm
- horizontal or vertical installation

**Design awards**

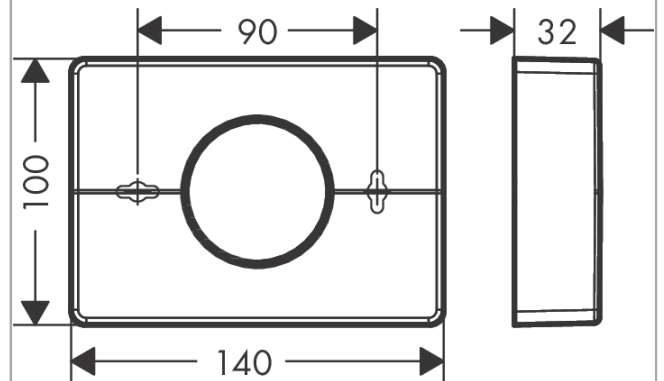


reddot winner 2021

**Product image**



**Scale drawing**



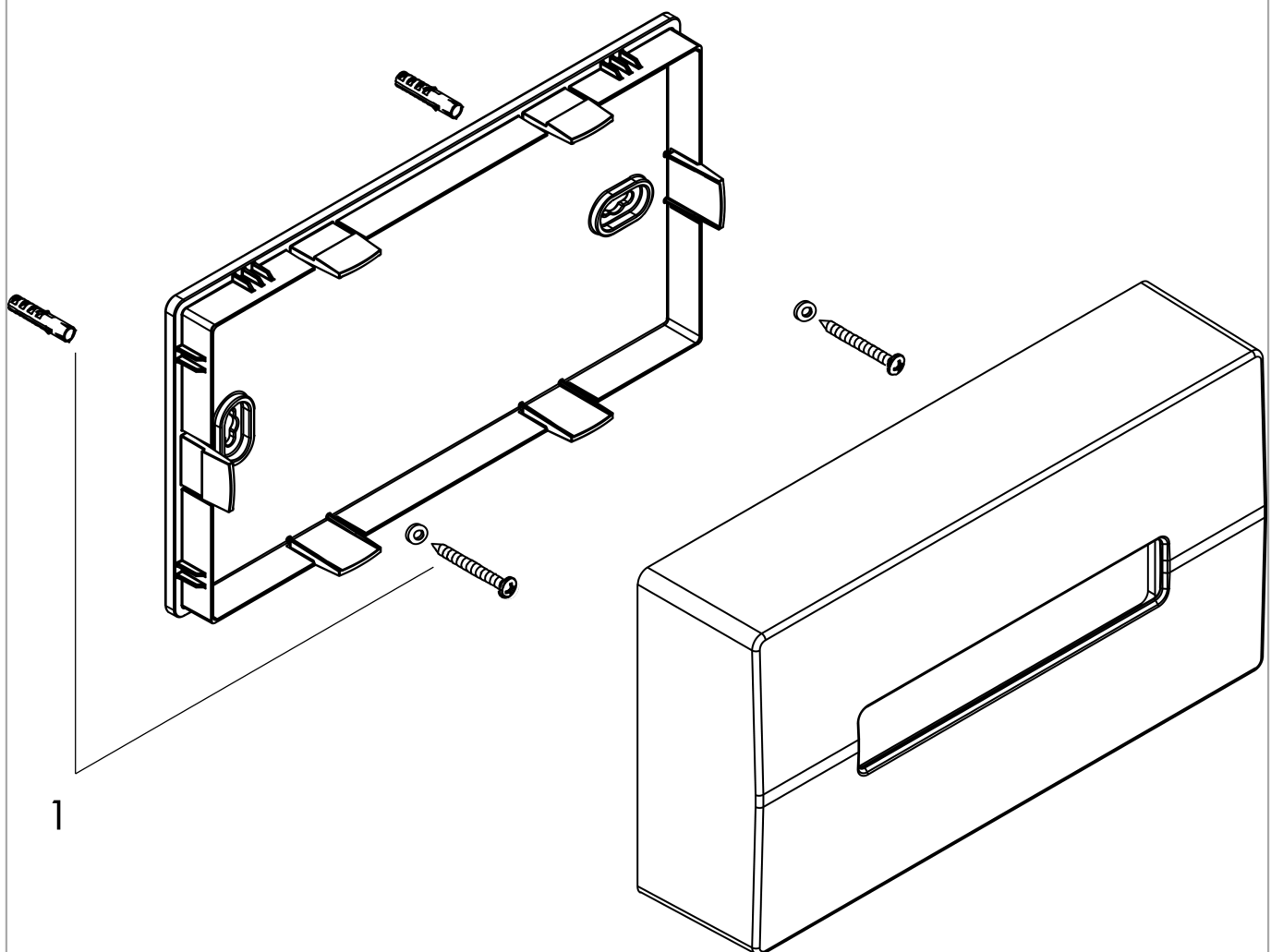
**AddStoris**  
**Sanitary bag dispenser**

Surfaces: **Chrome** Article Number: **41773000**



**Exploded Drawing**

Year of production: >04/21



**AddStoris**

**Sanitary bag dispenser**

Surfaces: **Chrome** Article Number: **41773000**



**Spare part list**

Year of production: >04/21

Pos.	Description	Article Number	Price	PU
1	mounting set	40915000	-	1