

## AXOR Uno

### Single lever basin mixer for concealed installation loop handle wall-mounted 165

Surfaces: **Polished Brass** Article Number: **38121930**



#### Description

##### product features

- consists of: Single lever basin mixer for concealed installation wall-mounted, waste set
- projection 165 mm
- normal spray
- flow rate at 3 bar: 5 l/min
- ceramic cartridge
- temperature limitation adjustable
- suitable for continuous flow water heaters
- non-closing waste set
- connection dimension: DN15
- handle can be positioned on the right or left, depends on the basic set installation

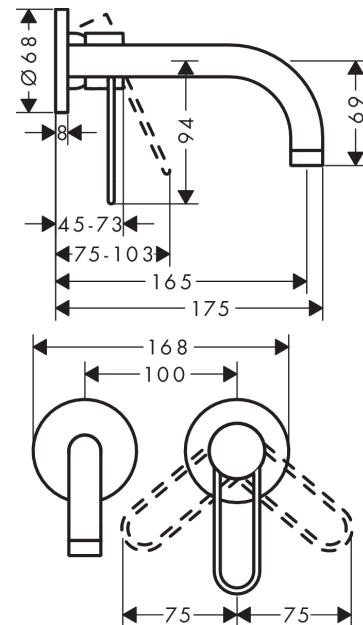
#### Technology



#### Product image



#### Scale drawing



## AXOR Uno

Single lever basin mixer for concealed installation loop handle wall-mounted 165

Surfaces: **Polished Brass** Article Number: **38121930**



### Flowchart



- ① With flow limiter
- ② Without flow limiter

## AXOR Uno

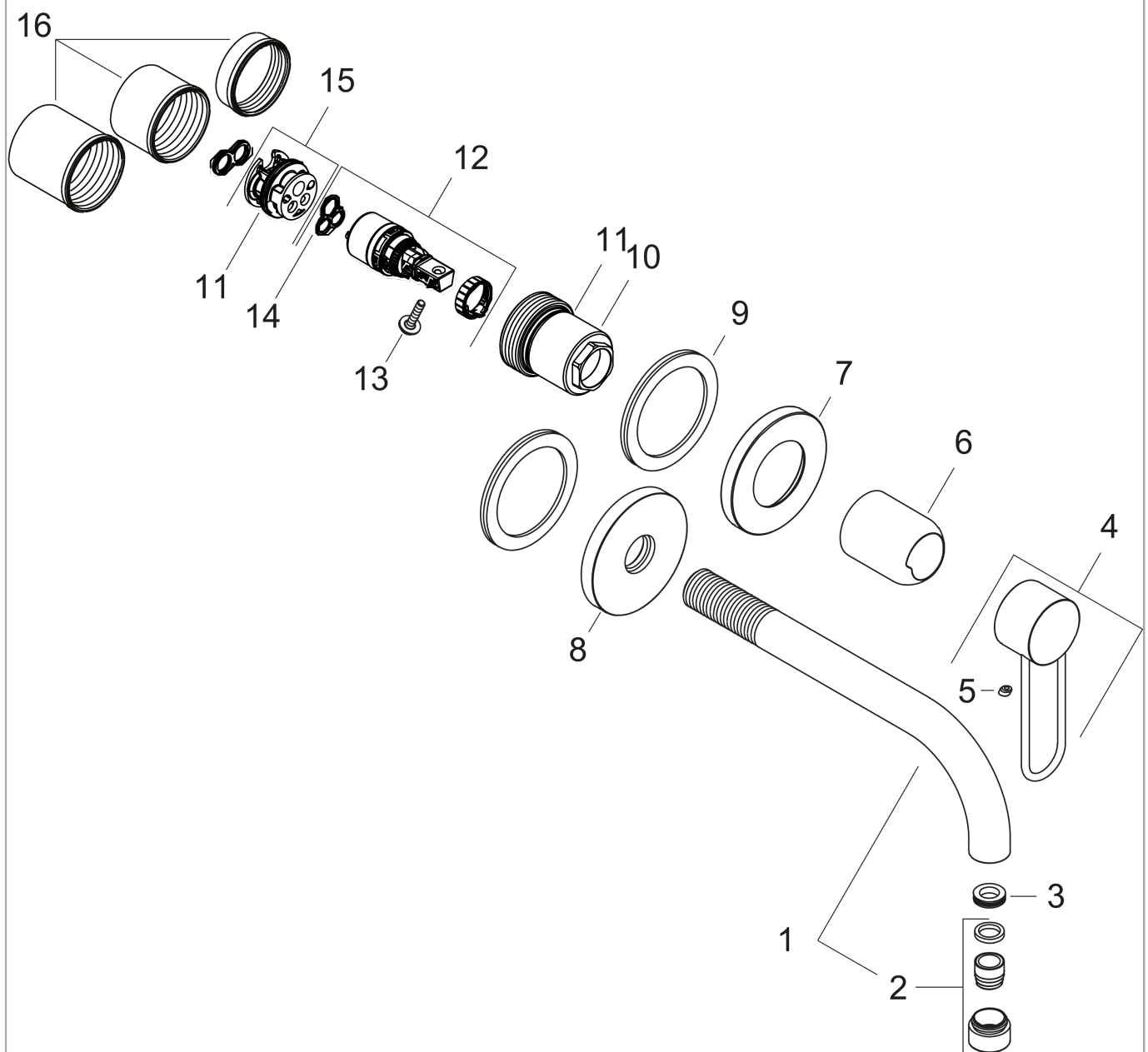
Single lever basin mixer for concealed installation loop handle wall-mounted 165

Surfaces: Polished Brass Article Number: 38121930



### Exploded Drawing

Year of production: >07/17



## AXOR Uno

Single lever basin mixer for concealed installation loop handle wall-mounted 165

Surfaces: **Polished Brass** Article Number: **38121930**



### Spare part list

Year of production: >07/17

Pos.	Description	Article Number	PC	PU
1	spout 160 mm	97369820	0	1
2	aerator M18x1 (5 l/min)	95387930	0	1
3	O-ring 13x1,5	98475000	0	1
4	handle	93054930	0	1
5	screw cover	96338000	0	1
6	sleeve	93053930	0	1
7	escutcheon Ø 68 mm	93052930	0	1
8	escutcheon for spout	96910930	0	1
9	washer	97600000	0	1
10	nut	93141000	0	1
11	O-ring 26x2	98147000	0	1
12	cartridge, assy	97685000	0	1
13	locking screw for handle	95140000	0	1
14	seal	98865000	0	1
15	adapter for cartridge	95634000	0	1
16	fixing set	97971000	0	1
a	pop up waste	50001930	0	1