

**Vernis Blend****Electronic basin mixer for cold water or pre-adjusted water battery operation**Surfaces: **Chrome** Article Number: **71503000****Description****product features**

- ComfortZone 100
- projection 112 mm
- spray type: normal spray
- swiveling spray former
- for cold water or pre-adjusted/conditioned water
- with isolated water conduction - without contact with nickel and lead
- suitable for continuous flow water heaters
- infrared sensor technology
- automatic environmental adjustment of infrared sensor
- battery condition indicator available
- battery operation 6 V Lithium-battery, type CR-P2 (lifetime approx. 7 years, at 150 actuations per day, battery included in scope of supply)
- flushing time adjustable
- flushing time: 10 s, 20 s, 30 s
- hygiene rinse activatable (automatic water flow)
- frequency of hygiene rinse: 24 h, 48 h, 72 h
- flushing time hygiene rinse: 10 s, 20 s, 30 s
- permanent rinse activatable (single water flow for 200 seconds, suitable for thermal disinfection)
- cleaning mode: manual water stop for washbasin cleaning
- connection dimension: DN15
- dirt filter in the connection hose
- frequency of hygiene rinse and flushing time hygiene rinse are dependent on each other (24 h - 10 s, 48 h - 20 s, 72 h - 30 s)

**Technology**

**Vernis Blend**

**Electronic basin mixer for cold water or pre-adjusted water battery operation**

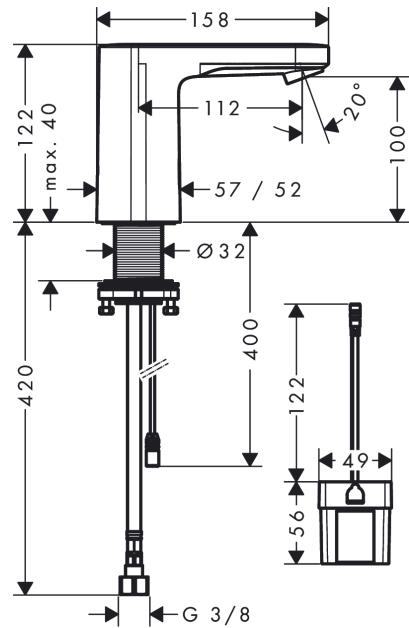
Surfaces: **Chrome** Article Number: **71503000**



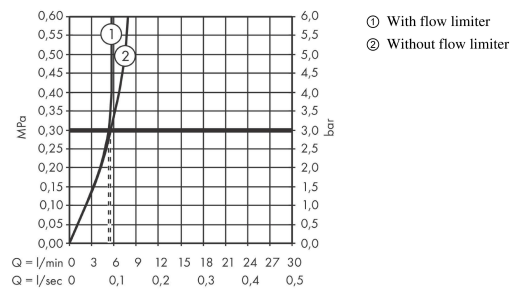
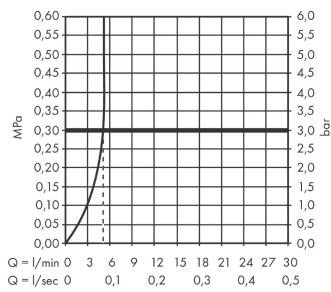
**Product image**



**Scale drawing**



**Flowchart**



**Vernis Blend**

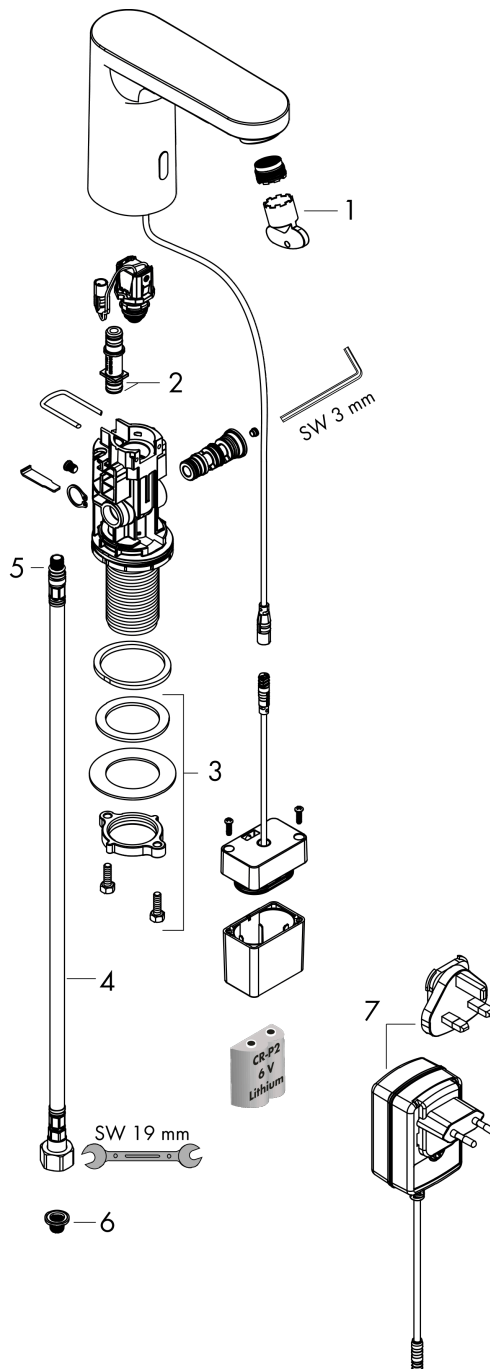
**Electronic basin mixer for cold water or pre-adjusted water battery operation**

Surfaces: **Chrome** Article Number: **71503000**



**Exploded Drawing**

Year of production: >05/21



**Vernis Blend**

**Electronic basin mixer for cold water or pre-adjusted water battery operation**

Surfaces: **Chrome** Article Number: **71503000**



**Spare part list**

Year of production: >05/21

Pos.	Description	Article Number	Price	PU
1	service tool	93750000	-	1
2	O-ring 8x1,5	98423000	-	1
3	fixing set (Ø 32)	13961000	-	1
4	connection hose 450 mm M8x0,75 G3/8	93405000	-	1
5	O-ring 7x1,5	98422000	-	1
6	filter packing	95291000	-	1
7	transformer	94269000	-	1
a	fixation extension 35 mm	13898000	-	1