

AXOR Uno

Single lever basin mixer for concealed installation loop handle wall-mounted 165

Surfaces: **Chrome** Article Number: **38121000**



Description

product features

- consists of: Single lever basin mixer for concealed installation wall-mounted, waste set
- projection 165 mm
- normal spray
- flow rate at 3 bar: 5 l/min
- ceramic cartridge
- temperature limitation adjustable
- suitable for continuous flow water heaters
- non-closing waste set
- connection dimension: DN15
- handle can be positioned on the right or left, depends on the basic set installation

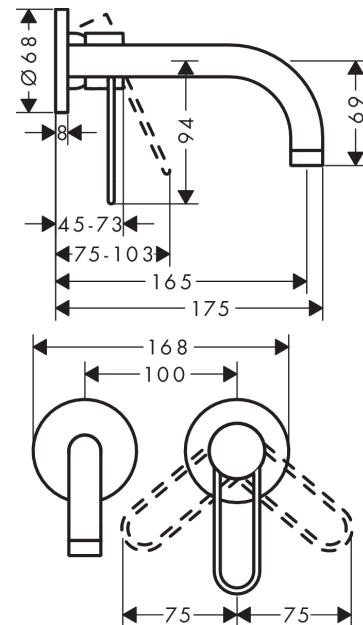
Technology



Product image



Scale drawing



AXOR Uno

Single lever basin mixer for concealed installation loop handle wall-mounted 165

Surfaces: **Chrome** Article Number: **38121000**



Flowchart



- ① With flow limiter
- ② Without flow limiter

AXOR Uno

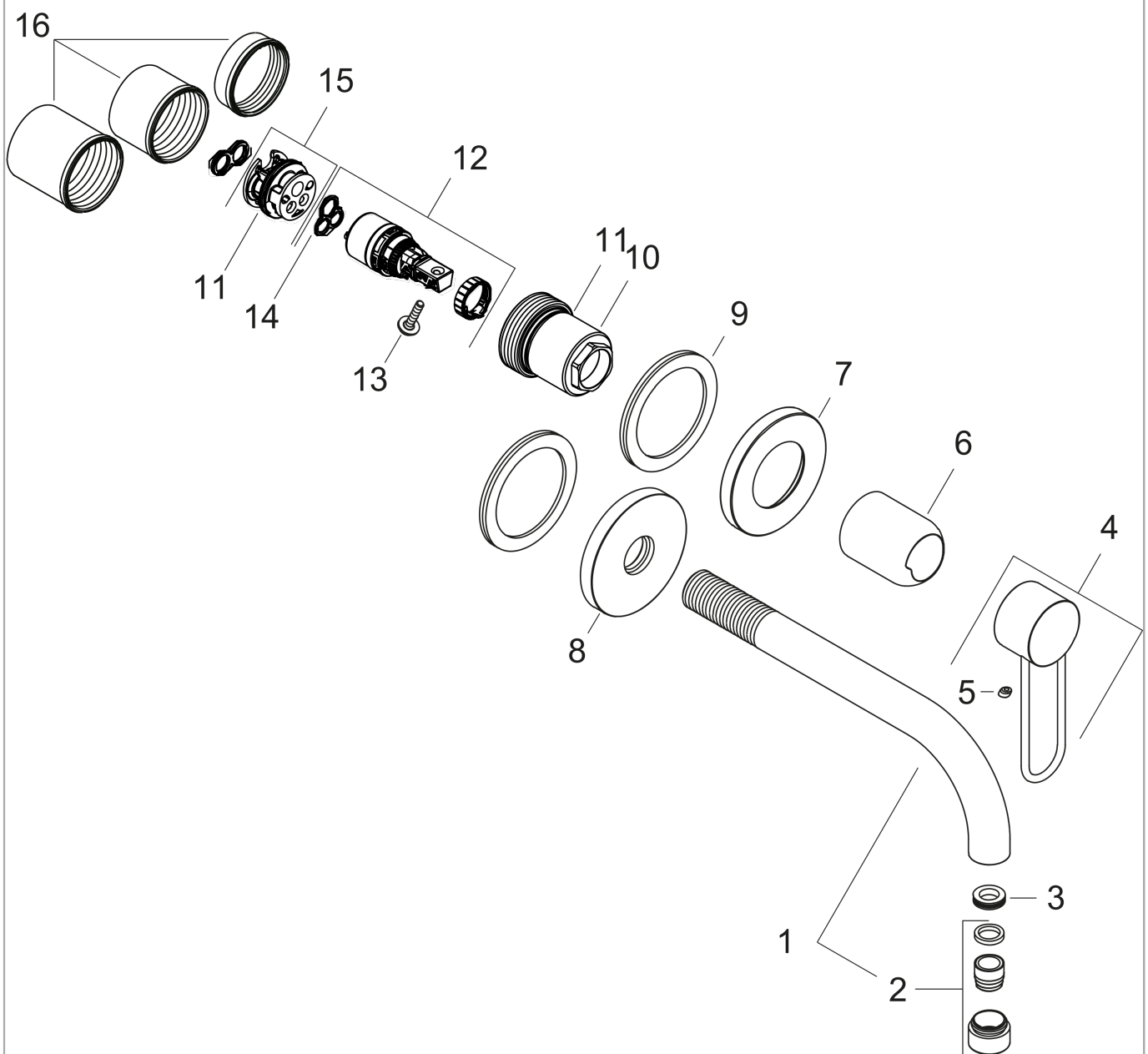
Single lever basin mixer for concealed installation loop handle wall-mounted 165

Surfaces: **Chrome** Article Number: **38121000**



Exploded Drawing

Year of production: >04/17



AXOR Uno

Single lever basin mixer for concealed installation loop handle wall-mounted 165

Surfaces: **Chrome** Article Number: **38121000**



Spare part list

Year of production: >04/17

Pos.	Description	Article Number	PC	PU
1	spout 160 mm	97369000	0	1
2	aerator M18x1 (5 l/min)	95387000	0	1
3	O-ring 13x1,5	98475000	0	1
4	handle	93054000	0	1
5	screw cover	96338000	0	1
6	sleeve	93053000	0	1
7	escutcheon Ø 68 mm	93052000	0	1
8	escutcheon for spout	96910000	0	1
9	washer	97600000	0	1
10	nut	93141000	0	1
11	O-ring 26x2	98147000	0	1
12	cartridge, assy	97685000	0	1
13	locking screw for handle	95140000	0	1
14	seal	98865000	0	1
15	adapter for cartridge	95634000	0	1
16	fixing set	97971000	0	1
a	pop up waste	50001000	0	1