

AXOR Uno

Select basin mixer 80 without pull-rod

Surfaces: **Brushed Nickel** Article Number: **45015820**



Description

product features

- consists of: Basin mixer, waste set
- ComfortZone 80
- projection 108 mm
- laminar spray
- flow rate at 3 bar: 5 l/min
- Select cartridge with temperature control
- temperature limitation adjustable
- suitable for continuous flow water heaters
- non-closing waste set
- connection dimension: DN15

Technology



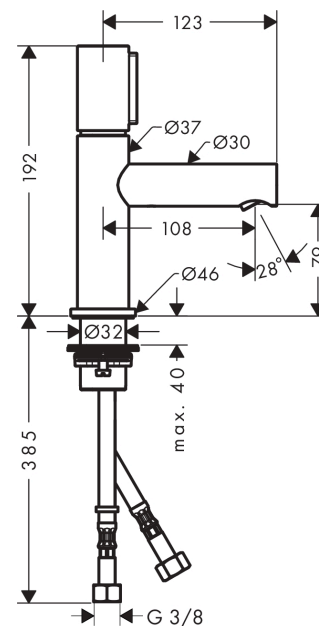
Design awards



Product image



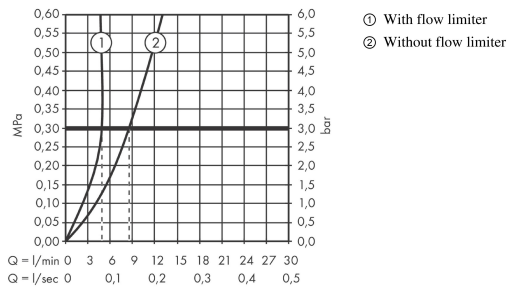
Scale drawing



AXOR Uno
Select basin mixer 80 without pull-rod
 Surfaces: **Brushed Nickel** Article Number: **45015820**



Flowchart

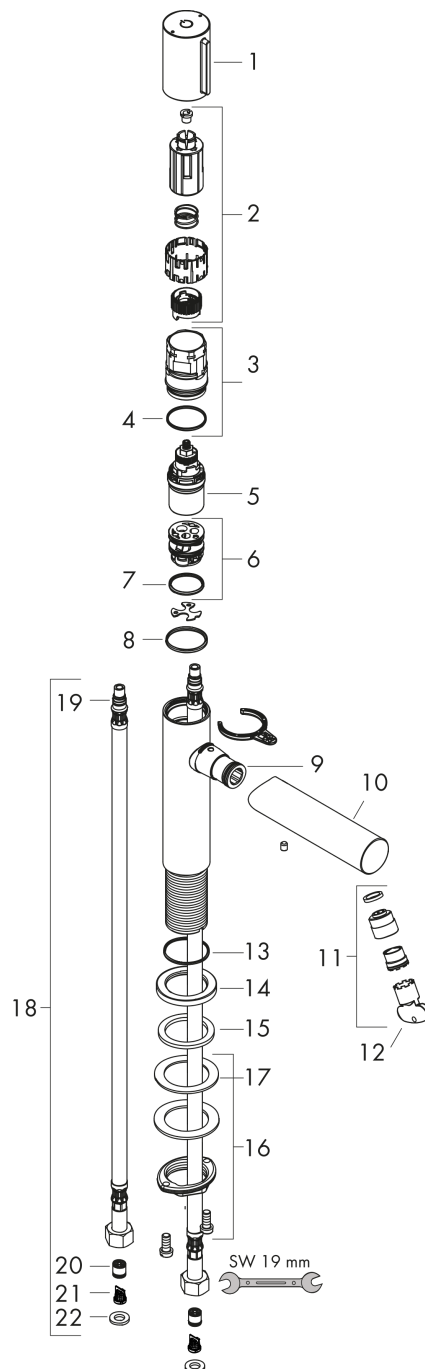


AXOR Uno
Select basin mixer 80 without pull-rod
 Surfaces: **Brushed Nickel** Article Number: **45015820**



Exploded Drawing

Year of production: >03/18



AXOR Uno
Select basin mixer 80 without pull-rod
 Surfaces: **Brushed Nickel** Article Number: **45015820**



Spare part list

Year of production: >03/18

Pos.	Description	Article Number	PC	PU
1	handle	92897820	0	1
2	adapter for handle	92526000	0	1
3	nut	92528000	0	1
4	O-ring 27x1,5	92527000	0	1
5	cartridge, assy	92529000	0	1
6	adapter for cartridge	98866000	0	1
7	O-ring 23x2	98398000	0	1
8	O-Ring 28x2	98194000	0	1
9	O-ring 16x2	98133000	0	1
10	spout cpl.	92892820	0	1
11	aerator laminar M18x1 (5 l/min)	92896820	0	1
12	special tool	98987000	0	1
13	O-ring 30x1,5	98433000	0	1
14	escutcheon Ø 46 mm	95268820	0	1
15	flat seal	98749000	0	1
16	fixing set (Ø 32)	13961000	0	1
17	lever collar	97548000	0	1
18	connection hose 450 mm M8x0,75 G3/8	92531000	0	1
19	O-ring 7x1,5	98422000	0	1
20	non return valve DW 10	96456000	0	1
21	filter	92532000	0	1
22	sealing set	92533000	0	1
a	pop up waste	50001820	0	1
b	fixation extension 35 mm	13898000	0	1