

AXOR Uno

Select basin mixer 220 with pop-up waste set

Surfaces: **Polished Brass** Article Number: **45016930**



Description

product features

- consists of: Basin mixer, waste set
- ComfortZone 220
- projection 160 mm
- swivel range 110°
- normal spray
- flow rate at 3 bar: 5 l/min
- Select valve
- temperature limitation adjustable
- separation of temperature control and open/close
- suitable for continuous flow water heaters
- pop-up waste set G 1¼
- connection dimension: DN15

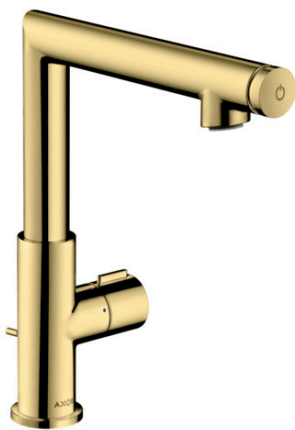
Technology



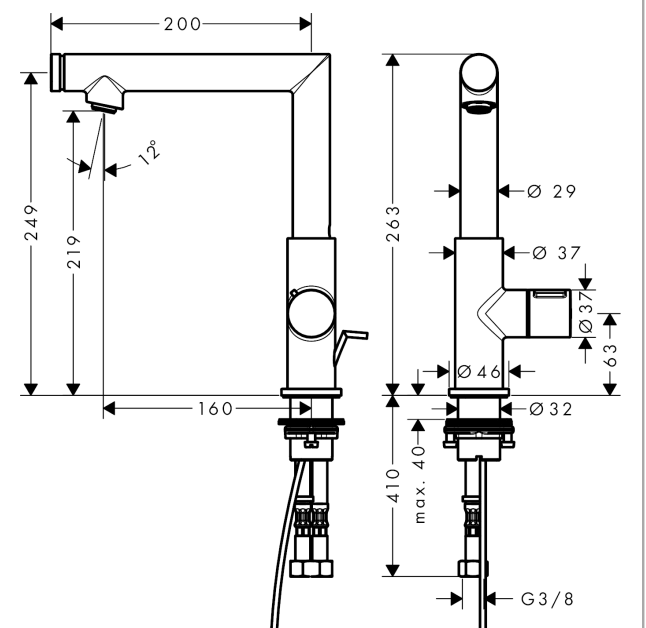
Design awards



Product image



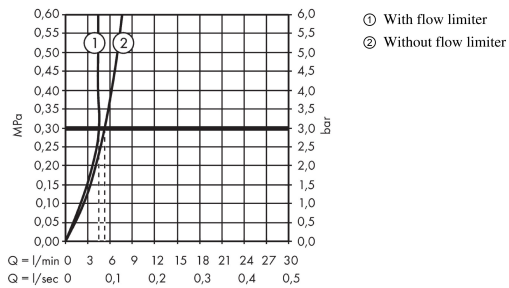
Scale drawing



AXOR Uno
Select basin mixer 220 with pop-up waste set
 Surfaces: **Polished Brass** Article Number: **45016930**



Flowchart



AXOR Uno

Select basin mixer 220 with pop-up waste set

Surfaces: **Polished Brass** Article Number: **45016930**



Spare part list

Year of production: >07/17

Pos.	Description	Article Number	PC	PU
1	spout cpl.	93122930	0	1
2	O-ring 13x1,5	98475000	0	1
3	O-Ring 14x1,5	98201000	0	1
4	shut off unit	92980000	0	1
5	cover	92566930	0	1
6	aerator M24x1 (5 l/min)	92996000	0	1
7	service tool	95661000	0	1
8	tappet	92505000	0	1
9	set of locating rings (110° / 150°)	98486000	0	1
10	O-Ring 14x2,5	98189000	0	1
11	O-ring 11x3	92481000	0	1
12	axialring	97558000	0	1
13	handle	93125930	0	1
14	handle fixing set	98932000	0	1
15	nut	93086000	0	1
16	O-ring 27x1,5	92527000	0	1
17	cartridge, assy	92970000	0	1
18	seal	98865000	0	1
19	O-ring 26x1,5	98390000	0	1
20	O-ring 30x1,5	98433000	0	1
21	escutcheon Ø 46 mm	95268930	0	1
22	flat seal	98749000	0	1
23	fixing set (Ø 32)	13961000	0	1
24	lever collar	97548000	0	1
25	connection hose 600 mm M8x0,75 G3/8	92629000	0	1
26	O-ring 7x1,5	98422000	0	1
27	non return valve DW 10	96456000	0	1
28	filter	92532000	0	1
29	sealing set	92533000	0	1
30	pull rod	97158930	0	1
a	pop up waste	94139930	0	1
b	fixation extension 35 mm	13898000	0	1