

AXOR Uno Bath spout curved

Surfaces: **Chrome** Article Number: **38411000**



Description

product features

- with escutcheon
- projection 178 mm
- wall-mounted
- flow rate: 20 l/min
- connection dimension: DN20
- spray type: normal spray

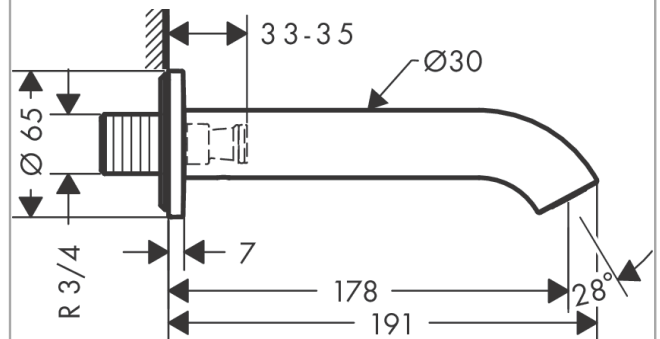
Technology



Product image



Scale drawing



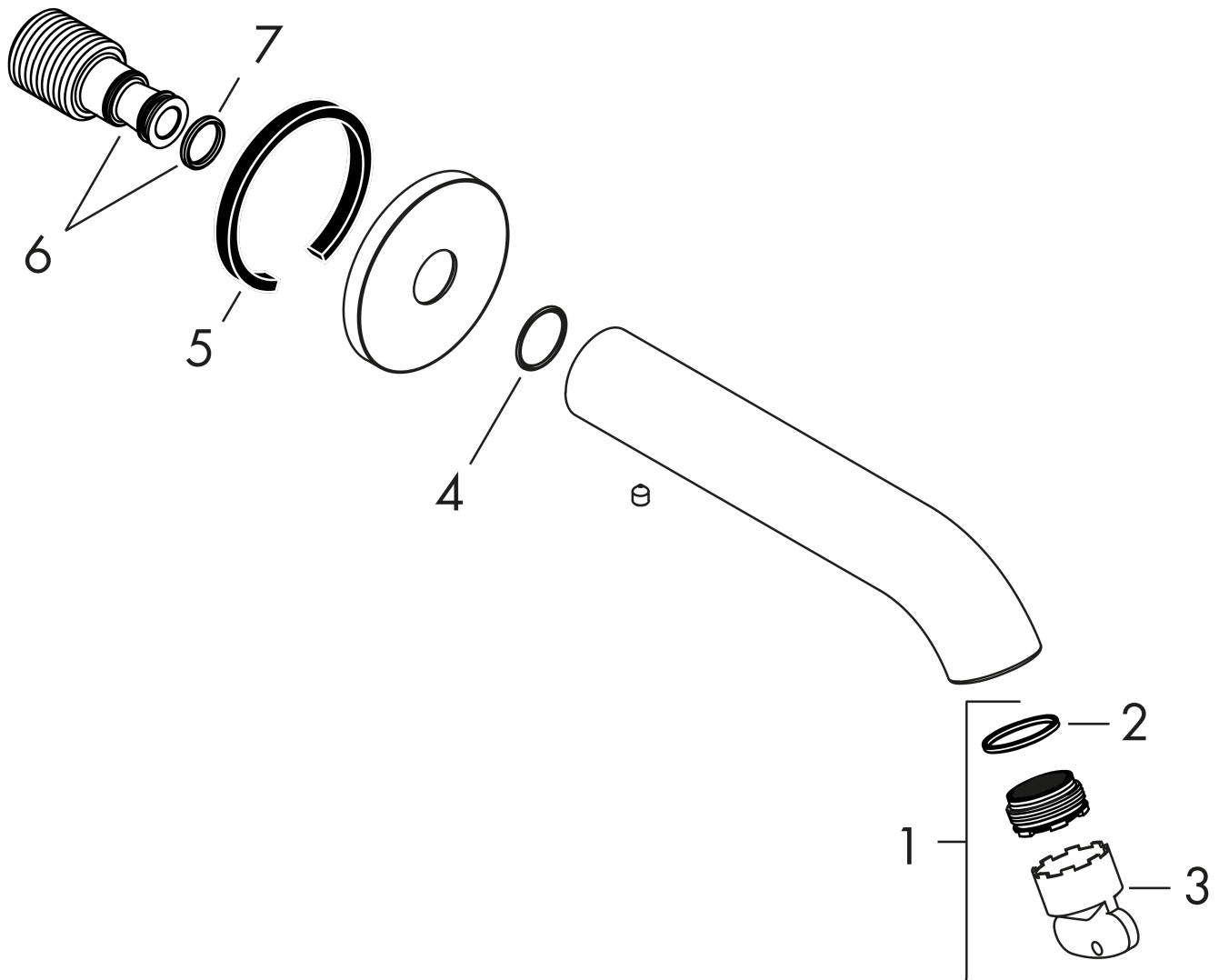
AXOR Uno
Bath spout curved
Surfaces: **Chrome**

Article Number: **38411000**



Exploded Drawing

Year of production: >04/17



AXOR Uno
Bath spout curved
 Surfaces: **Chrome** Article Number: **38411000**



Spare part list

Year of production: >04/17

Pos.	Description	Article Number	PC	PU
1	aerator M24x1 C	92934000	0	1
2	O-ring 20x1,5	98197000	0	1
3	special tool	95290000	0	1
4	O-ring 18x1,5	98231000	0	1
5	seal	97530000	0	1
6	connecting thread G $\frac{3}{4}$	92504000	0	1
7	O-ring 13x2	98128000	0	1