

Vernis Blend
Single lever basin mixer 190 with pop-up waste set
 Surfaces: **Chrome** Article Number: **71552000**



Description

product features

- consists of: single lever basin mixer, waste set
- ComfortZone 190
- projection 169 mm
- spray type: normal spray
- swiveling spray former
- maximum flow rate at 3 bar: 5 l/min
- ceramic cartridge
- temperature limitation adjustable
- suitable for continuous flow water heaters
- material waste set: synthetic
- connection type: G 3/8 connections
- connection dimension: DN15
- pop-up waste set G 1 1/4

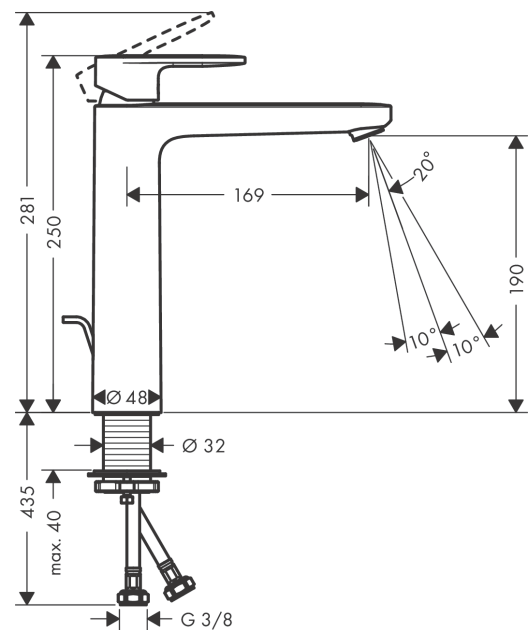
Technology



Product image



Scale drawing



Vernis Blend

Single lever basin mixer 190 with pop-up waste set

Surfaces: **Chrome** Article Number: **71552000**



Flowchart

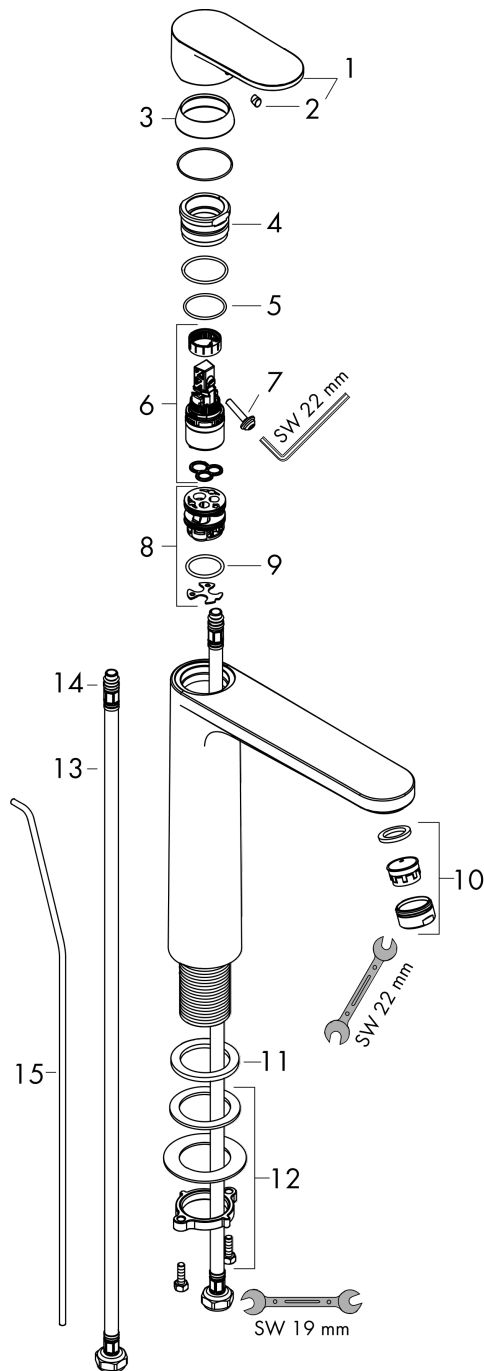


Vernis Blend
Single lever basin mixer 190 with pop-up waste set
 Surfaces: **Chrome** Article Number: **71552000**



Exploded Drawing

Year of production: >07/21



Vernis Blend

Single lever basin mixer 190 with pop-up waste set

Surfaces: **Chrome** Article Number: **71552000**



Spare part list

Year of production: >07/21

Pos.	Description	Article Number	Price	PU
1	handle	93678000	-	1
2	screw cover	96338000	-	1
3	flange	93680000	-	1
4	nut	93681000	-	1
5	O-ring 24x1,5	98434000	-	1
6	cartridge, assy	97685000	-	1
7	locking screw for handle	95140000	-	1
8	adapter for cartridge	98866000	-	1
9	O-ring 23x2	98398000	-	1
10	aerator swivelling M24x1 (5 l/min)	93834000	-	1
11	seal	93687000	-	1
12	fixing set	96016000	-	1
13	connection hose 600 mm M8x0,75 G3/8	96556000	-	1
14	O-ring 7x1,5	98422000	-	1
15	pull rod	93683000	-	1