

AXOR Uno
Single lever shower mixer for exposed installation loop handle
 Surfaces: **Polished Brass** Article Number: **38621930**



Description

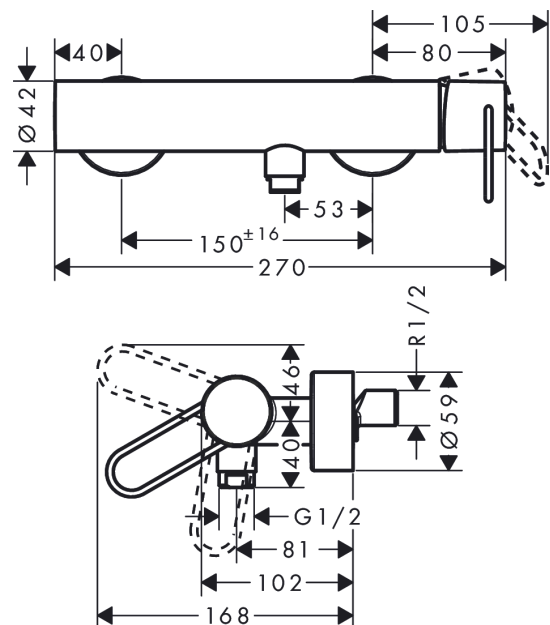
product features

- 1 outlet
- connection type: s-shaped connections
- centre distance: 150 ± 16 mm
- flow rate at 3 bar: 22 l/min
- ceramic cartridge
- min. operating pressure: 1 bar
- max. operating pressure: 10 bar
- temperature limitation adjustable
- non-return valve
- with silencer
- suitable for continuous flow water heaters
- hose connection DN15
- connection dimension: DN15

Product image



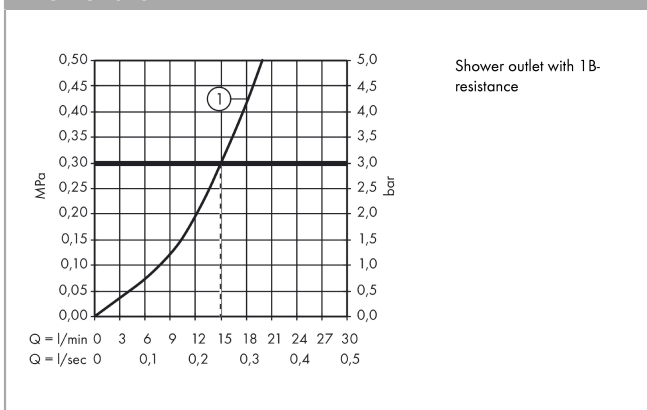
Scale drawing



AXOR Uno
Single lever shower mixer for exposed installation loop handle
 Surfaces: **Polished Brass** Article Number: **38621930**



Flowchart

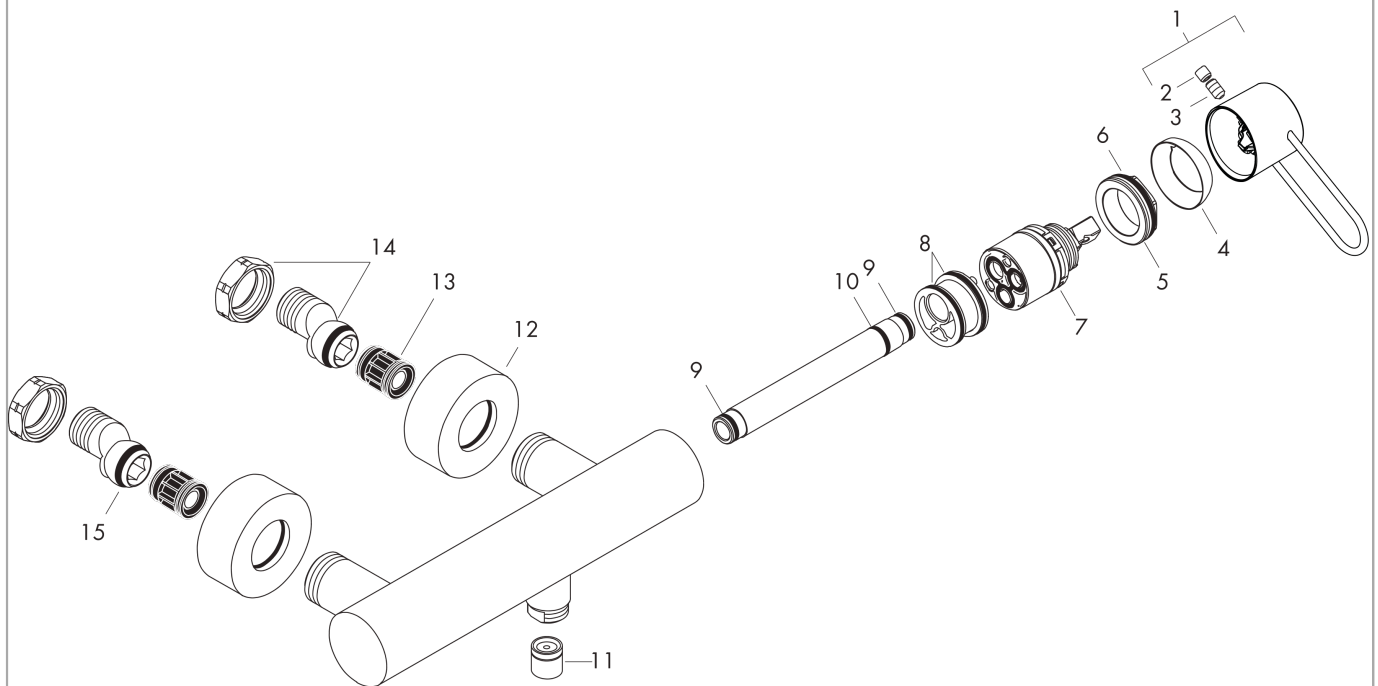


AXOR Uno
Single lever shower mixer for exposed installation loop handle
Surfaces: **Polished Brass** Article Number: **38621930**



Exploded Drawing

Year of production: >04/17



AXOR Uno
Single lever shower mixer for exposed installation loop handle
 Surfaces: **Polished Brass** Article Number: **38621930**



Spare part list

Year of production: >04/17

Pos.	Description	Article Number	PC	PU
1	handle	93073930	0	1
2	screw cover	96762000	0	1
3	hollow set screw M6x10 DIN 916	96029000	0	1
4	flange	98603930	0	1
5	nut	97209000	0	1
6	O-ring 33x2	98154000	0	1
7	cartridge, assy	92730000	0	1
8	O-ring 29x2	98391000	0	1
9	O-ring 11x2	98127000	0	1
10	O-ring 12x2	98214000	0	1
11	set of non return valves DW 15	94074000	0	1
12	escutcheon Ø 59 mm	97507930	0	1
13	noise reduction	96429000	0	1
14	set of S-unions with nuts	96742000	0	1
15	O-ring 18x2,5	98139000	0	1