

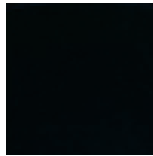
- IMO

Washstand fitting with electronic opening and closing function without pop-up waste - matt

Article number: 44 521 670-33



- Infrared sensor technology
- 165 mm projection
- height of mixer 319 mm
- height up to aerator 268 mm
- hole diameter 35 mm
- fixed spout
- max. flow 5.7 l/min
- rectangular, air-enriched flow
- suitable for thermal disinfection
- Automatic shut-off after pre-set time is reached
- Indirect temperature control (undercounter)
- Control box included
- Adjustable sensor detection range
- Battery or plug-in power supply operated (batteries not included)
- 4x AA (1.5V) batteries required
- lead-free
- 1x screw-in M 8 x 1 pressure hose, leak-tested
- Fittings group as per DIN 4109: 1
- Batteries not included



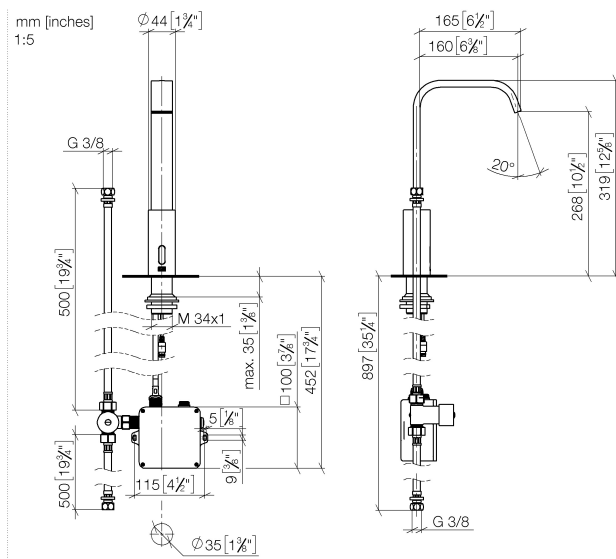
matt black

- IMO

Washstand fitting with electronic opening and closing function without pop-up waste - matt

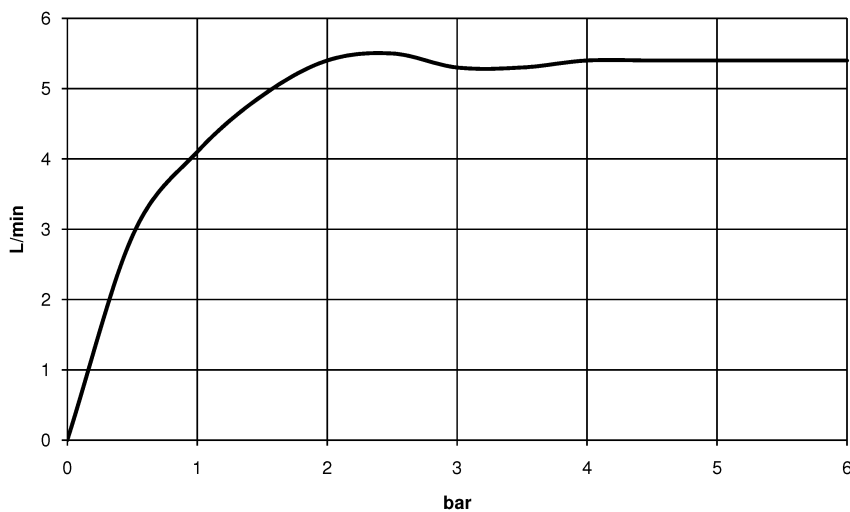
Article number: 44 521 670-33

Dimensional drawing



All details in mm / inch = mm x 0.0394

Flow rate chart





- IMO

Washstand fitting with electronic opening and closing function without pop-up waste - matt

Article number: 44 521 670-33

Other finish variants



polished chrome

44 521 670-00



platinum matt

44 521 670-06



platinum

44 521 670-08



matt white

44 521 670-10



Brushed durabronze (23kt)

44 521 670-28



chrome matt

44 521 670-93

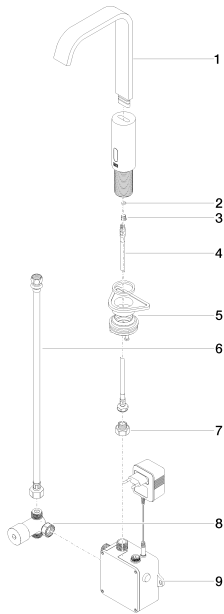
Other finishes on request (x-tra Service)

- IMO

Washstand fitting with electronic opening and closing function without pop-up waste - matt

Article number: 44 521 670-33

Spare parts list



No.	Item Number	Name	Quantity used
1	90 28 22 376 00-33	spout	1
2	09 14 10 132 90	seal	1
3	09 31 20 027 10-00	plug	1
4	04 30 04 100 00 90	hose	1
5	04 23 10 044 08 90	fixing set	1
6	12 506 970 90	High pressure hoses -	1
7	09 24 03 185-00	nipple	1
8	90 30 50 081 00 90	valve	1
9	90 10 01 247 00 90	valve box	1