

**AXOR Uno**  
**3-hole basin mixer 200 loop handle with pop-up waste set**  
 Surfaces: **Chrome** Article Number: **38054000**



## Description

### product features

- consists of: 3-hole basin mixer, waste set
- ComfortZone 160
- projection 173 mm
- swivel range 110°
- normal spray
- flow rate at 3 bar: 5 l/min
- ceramic valves hot/ cold 90°
- suitable for continuous flow water heaters
- pop-up waste set G 1¼
- connection dimension: DN15

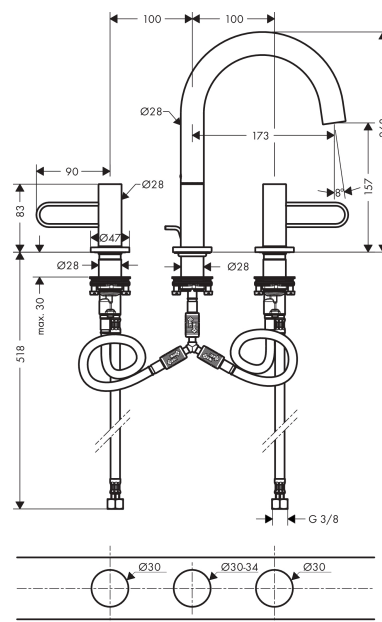
## Technology



## Product image



## Scale drawing

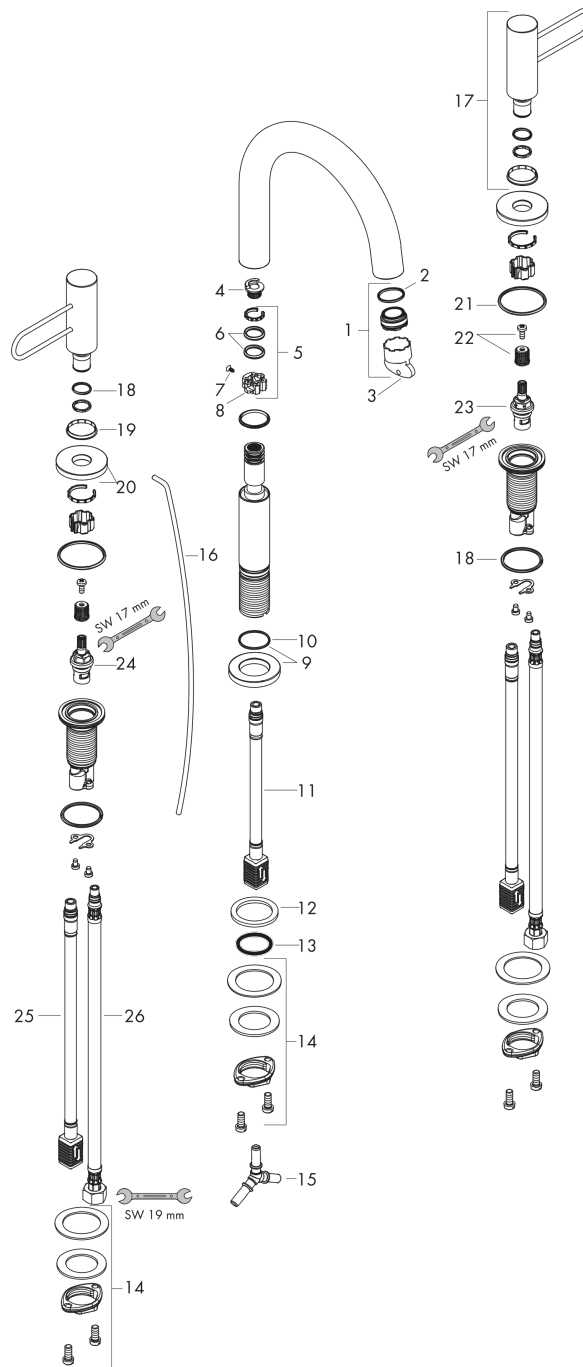


**AXOR Uno**  
**3-hole basin mixer 200 loop handle with pop-up waste set**  
 Surfaces: **Chrome** Article Number: **38054000**



## Exploded Drawing

Year of production: >04/17



**AXOR Uno**  
**3-hole basin mixer 200 loop handle with pop-up waste set**  
 Surfaces: **Chrome** Article Number: **38054000**



## Spare part list

Year of production: >04/17

Pos.	Description	Article Number	PC	PU
1	aerator M24x1 (5 l/min)	92895000	0	1
2	O-ring 20x1,5	98197000	0	1
3	special tool	95290000	0	1
4	set of locating rings (110° / 150°)	98486000	0	1
5	sealing set	92646000	0	1
6	O-Ring 14x2,5	98189000	0	1
7	screw	97662000	0	1
8	axialring	97558000	0	1
9	escutcheon for spout	92957000	0	1
10	O-ring 25x1,5	98146000	0	1
11	connection hose 200 mm M10x1	92913000	0	1
12	flat seal	98749000	0	1
13	O-ring 26x4	92191000	0	1
14	fixing set (Ø 28)	92909000	0	1
15	hose connection angel	92905000	0	1
16	pull rod	97158000	0	1
17	handle	92958000	0	1
18	O-Ring 14x1,5	98201000	0	1
19	set of color-rings cold / hot water	96319000	0	1
20	escutcheon for handle	92956000	0	1
21	O-ring 33x2,5	92907000	0	1
22	handle fixing set	98932000	0	1
23	shut off unit left closing	95366000	0	1
24	shut off unit right closing	98817000	0	1
25	connection hose 450 mm M8x0,75 G3/8	97206000	0	1
26	connection hose 400 mm M10x1	92914000	0	1
a	pop up waste	94139000	0	1