

## AXOR ShowerSolutions

### Basic set for overhead shower 2jet with shower arm

Surfaces: n.a. Article Number: 35361180



#### Description

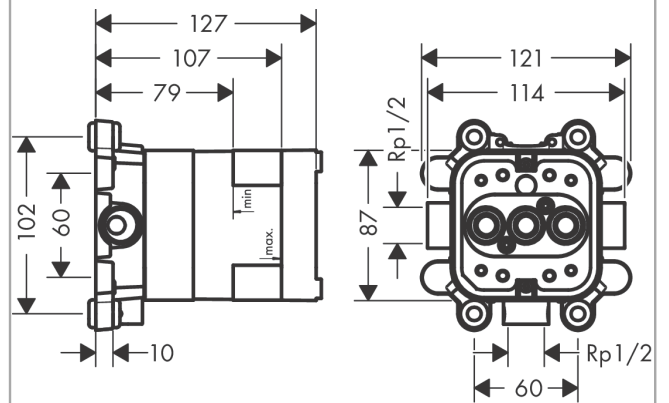
##### product features

- sound-decoupled installation
- connection dimension: Rp 1/2

#### Product image



#### Scale drawing

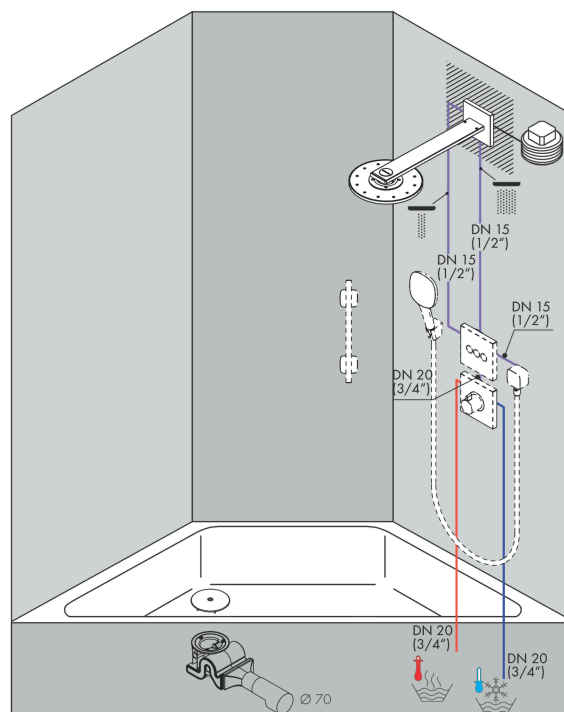
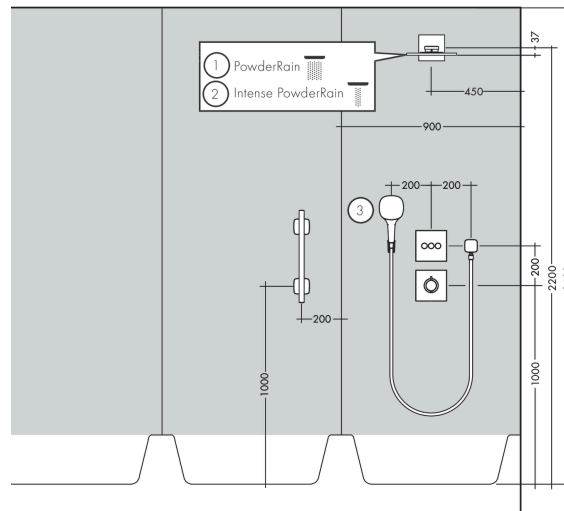
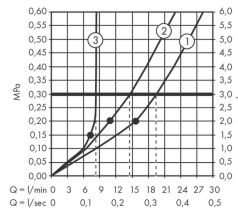


**AXOR ShowerSolutions**  
**Basic set for overhead shower 2jet with shower arm**  
 Surfaces: n.a. Article Number: **35361180**



## Installation examples

- AXOR ShowerSolutions 250 2jet  
35296000
- AXOR ShowerSolutions 300 2jet  
35303000
- AXOR ShowerSolutions 250/250 2jet  
35310000
- AXOR ShowerSolutions 300/300 2jet  
35318000

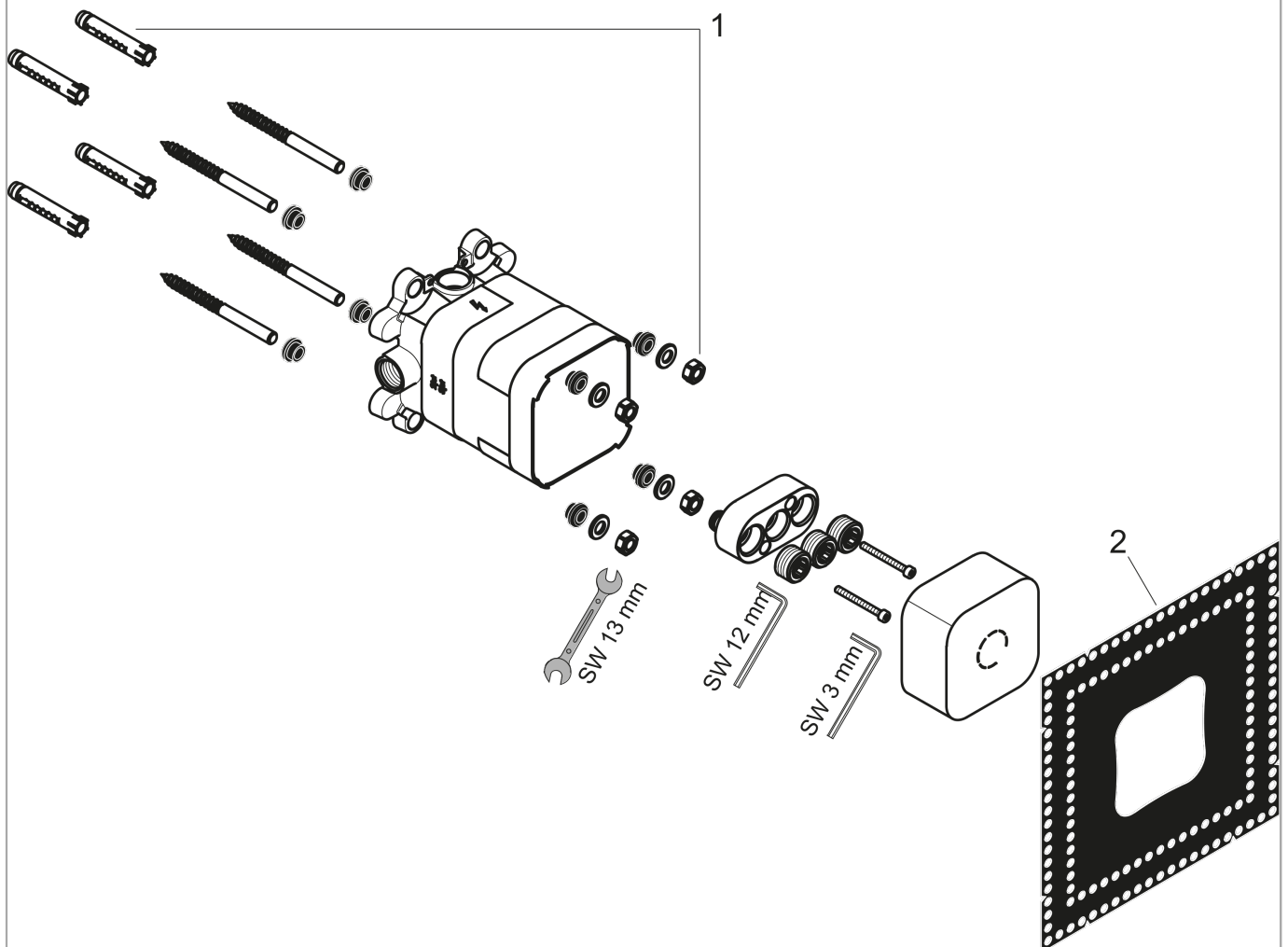


**AXOR ShowerSolutions**  
**Basic set for overhead shower 2jet with shower arm**  
Surfaces: n.a. Article Number: 35361180



## Exploded Drawing

Year of production: >10/18



## AXOR ShowerSolutions

**Basic set for overhead shower 2jet with shower arm**

Surfaces: n.a. Article Number: **35361180**



### Spare part list

Year of production: >10/18

Pos.	Description	Article Number	PC	PU
1	mounting kit	96343000	0	1
2	sealing foil	95833000	0	1