

Vernis Blend

Single lever basin mixer 190 without waste set

Surfaces: **Matt Black** Article Number: **71582670**



Description

product features

- ComfortZone 190
- projection 108 mm
- spray type: normal spray
- swiveling spray former
- maximum flow rate at 3 bar: 5 l/min
- ceramic cartridge
- suitable for continuous flow water heaters
- connection type: G 3/8 connections
- connection dimension: DN15

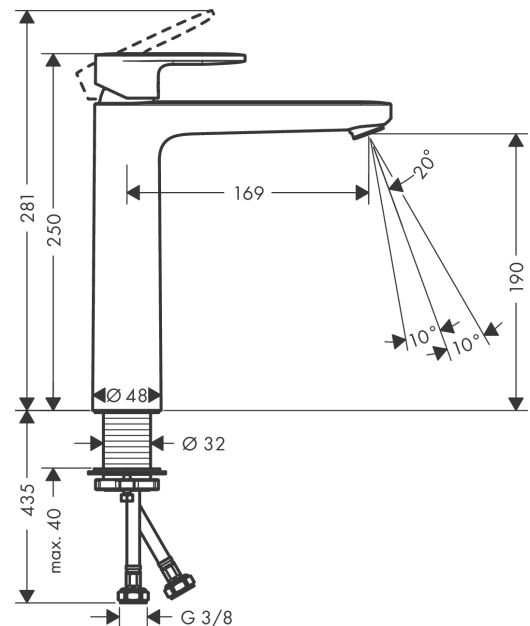
Technology



Product image



Scale drawing



Flowchart

