

Vernis Blend

Single lever basin mixer 190 with isolated water conduction and pop-up waste set

Surfaces: **Chrome** Article Number: **71572000**



Description

product features

- consists of: single lever basin mixer, waste set
- ComfortZone 190
- projection 169 mm
- spray type: normal spray
- swiveling spray former
- maximum flow rate at 3 bar: 5 l/min
- ceramic cartridge
- temperature limitation adjustable
- with isolated water conduction - without contact with nickel and lead
- suitable for continuous flow water heaters
- material waste set: synthetic
- connection type: G 3/8 connections
- connection dimension: DN15
- pop-up waste set G 1 1/4

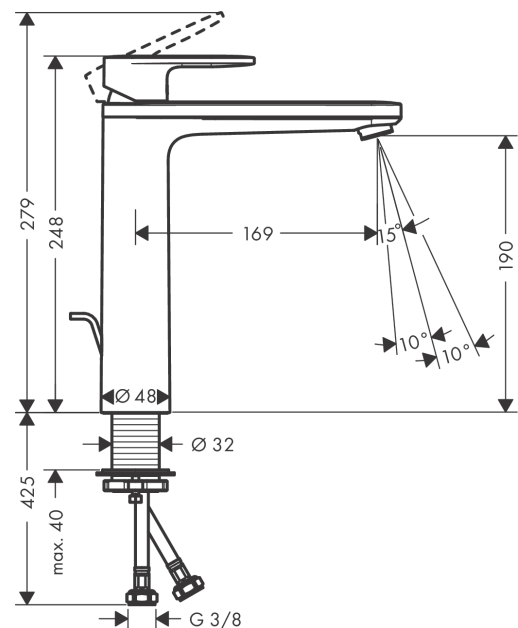
Technology



Product image



Scale drawing



Vernis Blend

Single lever basin mixer 190 with isolated water conduction and pop-up waste set

Surfaces: **Chrome** Article Number: **71572000**



Flowchart

