

**AXOR Uno**  
**Single lever bath mixer for exposed installation loop handle**  
 Surfaces: **Polished Brass**    Article Number: **38421930**



## Description

### product features

- projection 203 mm
- connection type: s-shaped connections
- centre distance: 150 ± 16 mm
- spray type mixer: normal spray
- flow rate at 3 bar: 22 l/min
- ceramic cartridge
- min. operating pressure: 1 bar
- max. operating pressure: 10 bar
- temperature limitation adjustable
- with automatic resetting
- non-return valve
- with silencer
- suitable for continuous flow water heaters
- connection dimension: DN15

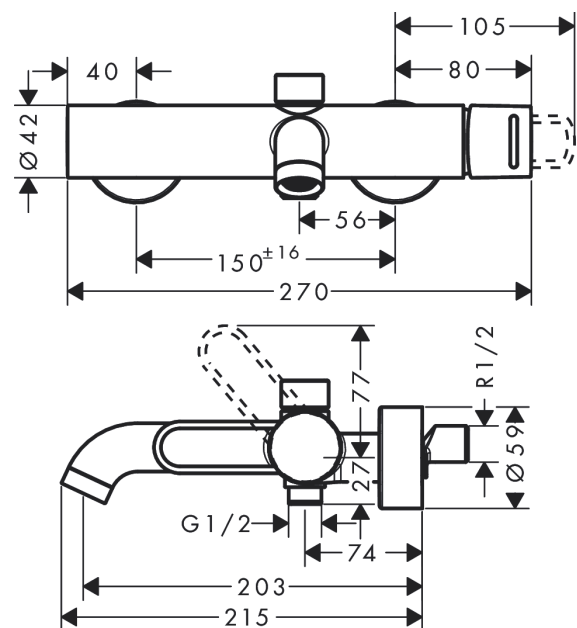
## Technology



## Product image



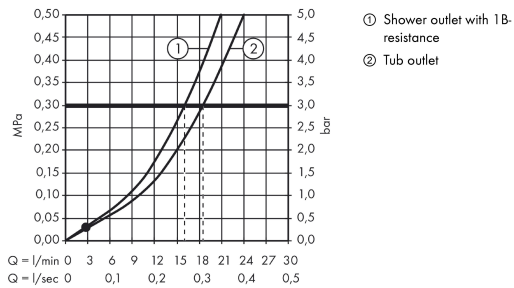
## Scale drawing



**AXOR Uno**  
**Single lever bath mixer for exposed installation loop handle**  
 Surfaces: **Polished Brass**    Article Number: **38421930**



## Flowchart

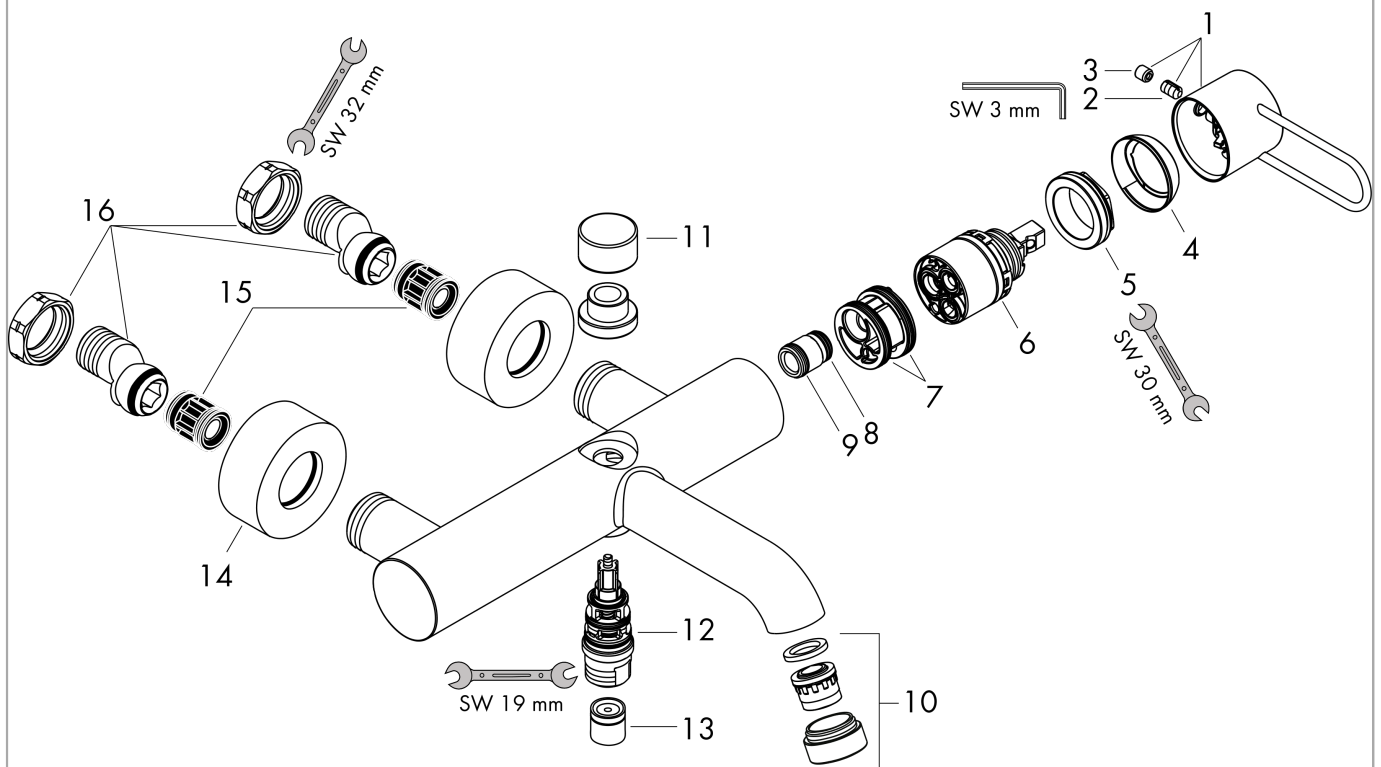


**AXOR Uno**  
**Single lever bath mixer for exposed installation loop handle**  
Surfaces: **Polished Brass** Article Number: **38421930**



## Exploded Drawing

Year of production: >04/17



**AXOR Uno**  
**Single lever bath mixer for exposed installation loop handle**  
 Surfaces: **Polished Brass** Article Number: **38421930**



## Spare part list

Year of production: >04/17

Pos.	Description	Article Number	PC	PU
1	handle	93073930	0	1
2	screw cover	96762000	0	1
3	hollow set screw M6x10 DIN 916	96029000	0	1
4	flange	98603930	0	1
5	nut	97209000	0	1
6	cartridge, assy	92730000	0	1
7	O-ring 29x2	98391000	0	1
8	O-ring 11x2	98127000	0	1
9	O-ring 12x2	98214000	0	1
10	aerator M24x1 (25 l/min)	97356000	0	1
11	diverter knob	97355930	0	1
12	selector assy	94077000	0	1
13	set of non return valves DW 15	94074000	0	1
14	escutcheon Ø 59 mm	97507930	0	1
15	noise reduction	96429000	0	1
16	set of S-unions with nuts	96742000	0	1