

## Finoris

### 3-hole basin mixer 110 with push-open waste set

Surfaces: **Chrome** Article Number: **76033000**



#### Description

##### product features

- consists of: 3-hole basin mixer, waste set
- ComfortZone 110
- projection 169 mm
- spray type: laminar spray
- maximum flow rate at 3 bar: 5 l/min
- ceramic valves hot/ cold 90°
- suitable for continuous flow water heaters
- push-open waste set G 1¼
- material waste set: metal
- connection type: G ¾ connection hose
- connection dimension: DN15

#### Technology



#### Design awards

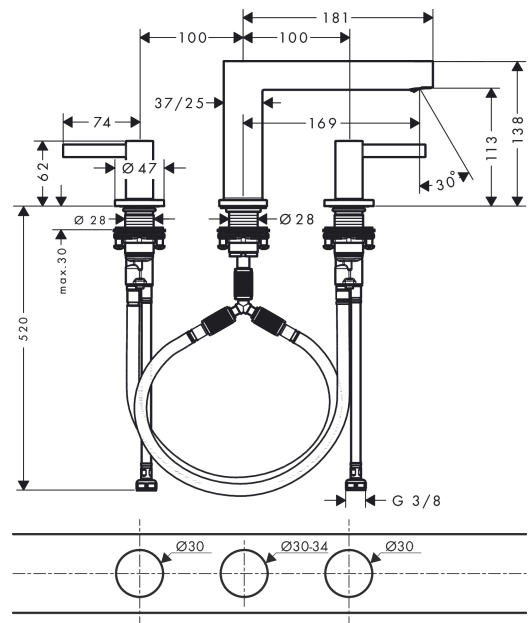


reddot winner 2021

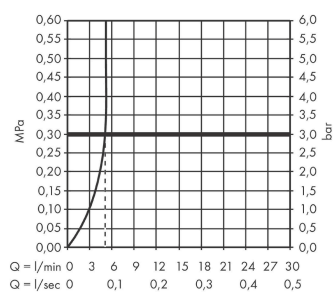
#### Product image



#### Scale drawing



#### Flowchart

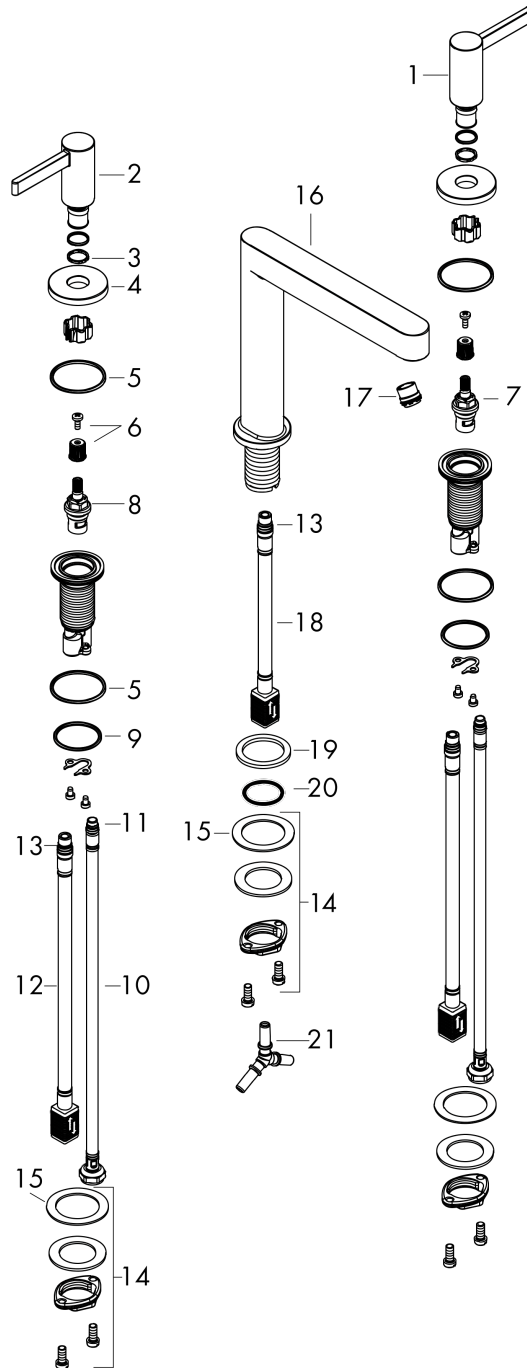


**Finoris**  
**3-hole basin mixer 110 with push-open waste set**  
 Surfaces: **Chrome** Article Number: **76033000**



**Exploded Drawing**

Year of production: >06/21



**Finoris****3-hole basin mixer 110 with push-open waste set**Surfaces: **Chrome** Article Number: **76033000****Spare part list**

Year of production: &gt;06/21

Pos.	Description	Article Number	Price	PU
1	handle for cold water	93970000	-	1
2	handle for hot water	93969000	-	1
3	O-Ring 14x1,5	98201000	-	1
4	escutcheon for handle	92956000	-	1
5	O-ring 26x2,5	98216000	-	1
6	handle fixing set	98932000	-	1
7	shut off unit left closing	95366000	-	1
8	shut off unit right closing	98817000	-	1
9	O-ring 33x2,5	92907000	-	1
10	connection hose 450 mm M8x0,75 G3/8	97206000	-	1
11	O-ring 6,6x1,6	93019000	-	1
12	connection hose 400 mm M10x1	92914000	-	1
13	O-ring 7x1,5	98422000	-	1
14	fixing set (Ø 28)	92909000	-	1
15	lever collar	97548000	-	1
16	spout cpl.	93971000	-	1
17	spray former	93973000	-	1
18	connection hose 200 mm M10x1	92913000	-	1
19	flat seal	98749000	-	1
20	O-ring 26x4	92191000	-	1
21	hose connection angel	92905000	-	1
a	push-open waste set	50100000	-	1