

AXOR Uno
Single lever shower mixer for concealed installation zero handle
Surfaces: **Brushed Nickel** Article Number: **45605820**



Description

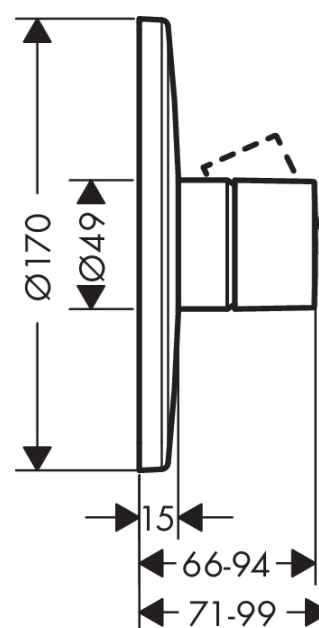
product features

- 1 outlet
- connection type: basic set
- flow rate at 3 bar: 31.6 l/min
- ceramic cartridge
- min. operating pressure: 1 bar
- max. operating pressure: 10 bar
- temperature limitation adjustable
- with silencer
- suitable for continuous flow water heaters

Product image



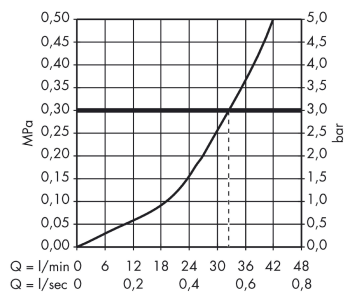
Scale drawing



AXOR Uno
Single lever shower mixer for concealed installation zero handle
Surfaces: **Brushed Nickel** Article Number: **45605820**



Flowchart

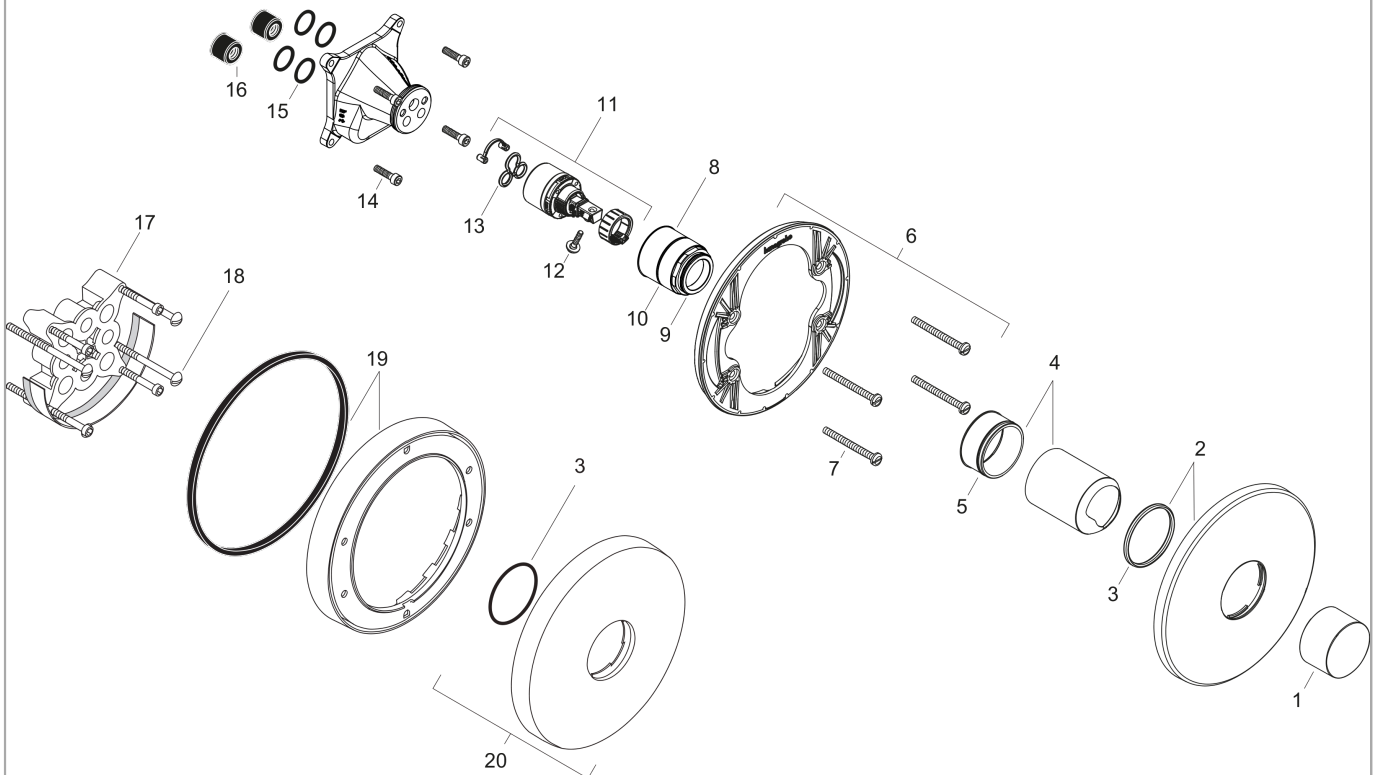


AXOR Uno
Single lever shower mixer for concealed installation zero handle
Surfaces: **Brushed Nickel** Article Number: **45605820**



Exploded Drawing

Year of production: >04/17



AXOR Uno
Single lever shower mixer for concealed installation zero handle
 Surfaces: **Brushed Nickel** Article Number: **45605820**



Spare part list

Year of production: >04/17

Pos.	Description	Article Number	PC	PU
1	handle	93038820	0	1
2	escutcheon Ø 170 mm	95803820	0	1
3	O-Ring 48x3	95508000	0	1
4	flange	98684820	0	1
5	O-ring 43x1,5	98148000	0	1
6	sub plate	96447000	0	1
7	set of fixing screws	96454000	0	1
8	nut	98796000	0	1
9	O-ring 30x1,5	98433000	0	1
10	O-ring 39x1,5	98400000	0	1
11	cartridge, assy	92730000	0	1
12	locking screw for handle	95140000	0	1
13	seal	95008000	0	1
14	set of screws	96525000	0	1
15	O-ring 16x2	98133000	0	1
16	noise reduction	94073000	0	1
17	extension 25 mm	13595000	0	1
18	set of fixing screws	97747000	0	1
19	extension 22 mm (Ø 170 mm)	13596000	0	1
20	escutcheon height = 33 mm (when wall is not deep enough).	14960820	0	1
a	concealed item	01800180	0	1
b	adapter for exchanged connections	93181000	0	1