

AXOR Universal Accessories

Rail grab bar 300 mm

Surfaces: **Chrome** Article Number: **42830000**



Description

product features

- drilling distance 280 mm
- material: metal
- wall-mounted
- across or upright mountable
- length 374 mm
- use as a rail for accessories and grab bar

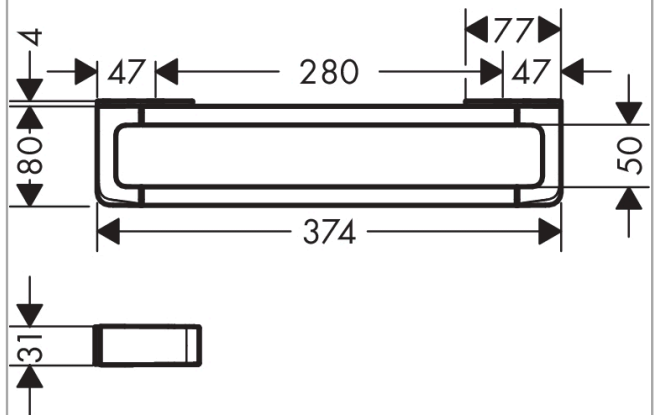
Design awards



Product image



Scale drawing



AXOR Universal Accessories

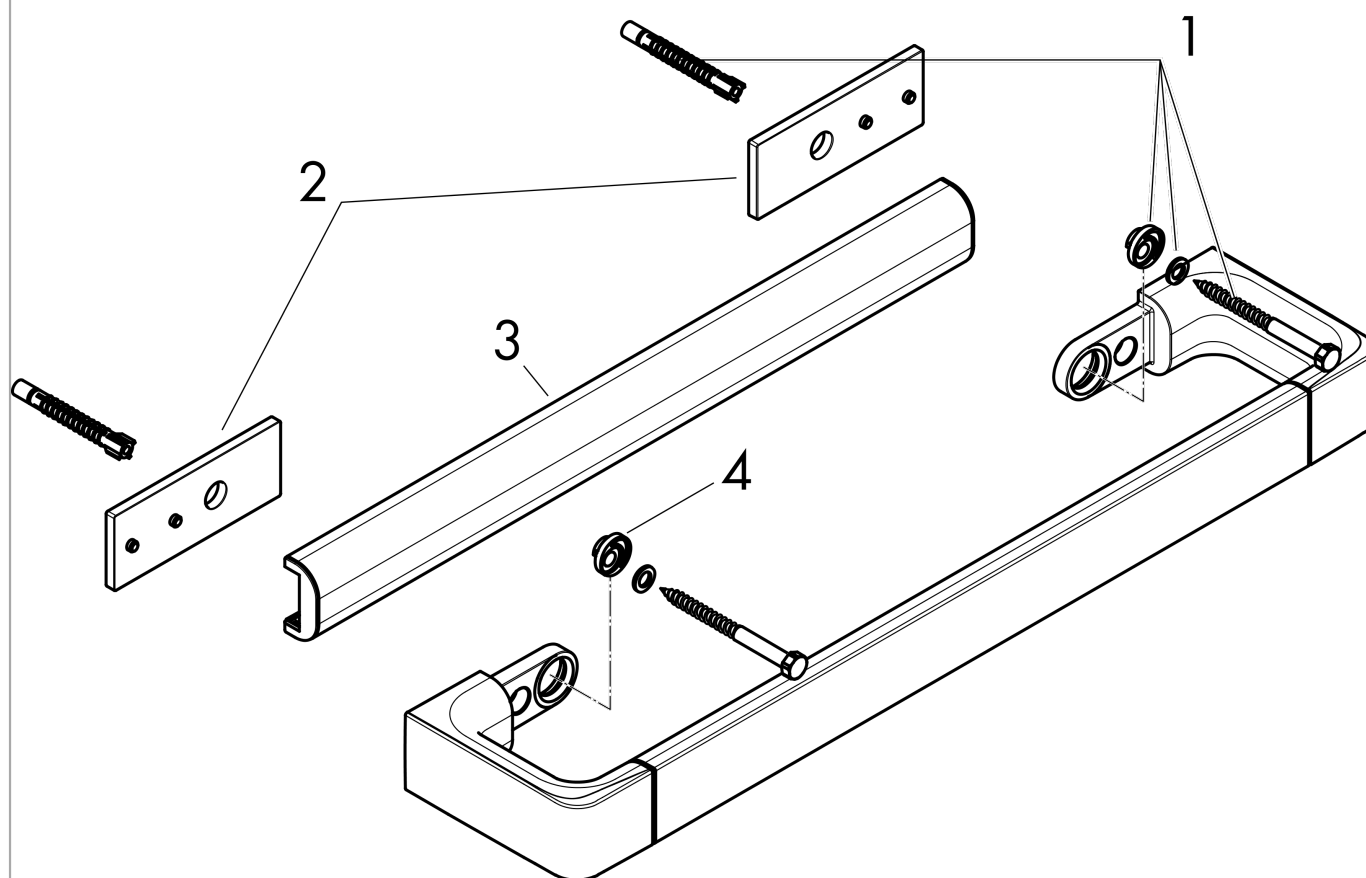
Rail grab bar 300 mm

Surfaces: **Chrome** Article Number: **42830000**



Exploded Drawing

Year of production: >11/14



AXOR Universal Accessories

Rail grab bar 300 mm

Surfaces: **Chrome** Article Number: **42830000**



Spare part list

Year of production: >11/14

Pos.	Description	Article Number	PC	PU
1	mounting set	92841000	0	1
2	tile-matching-disk	92406000	0	1
3	cover	92433000	0	1
4	excentric socket	97604000	0	1
a	set of adapters	42870000	0	1
b	set of covers	42871000	0	1
c	mounting kit for two-sided glass montage	42841000	0	1