

**AddStoris**

**Tissue box**

Surfaces: **Chrome** Article Number: **41774000**



**Description**

**product features**

- wall-mounted
- adhesive attachment, screw fastening
- material: plastic
- suitable for customary tissue boxes
- easy removal of the lid for easy filling
- with mounting material
- concealed fastening
- drilling distance 200 mm
- diameter drill hole: 6 mm
- horizontal or vertical installation

**Design awards**

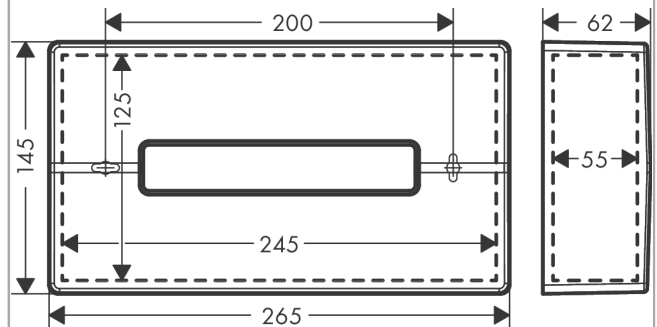


reddot winner 2021

**Product image**



**Scale drawing**



**AddStoris**

**Tissue box**

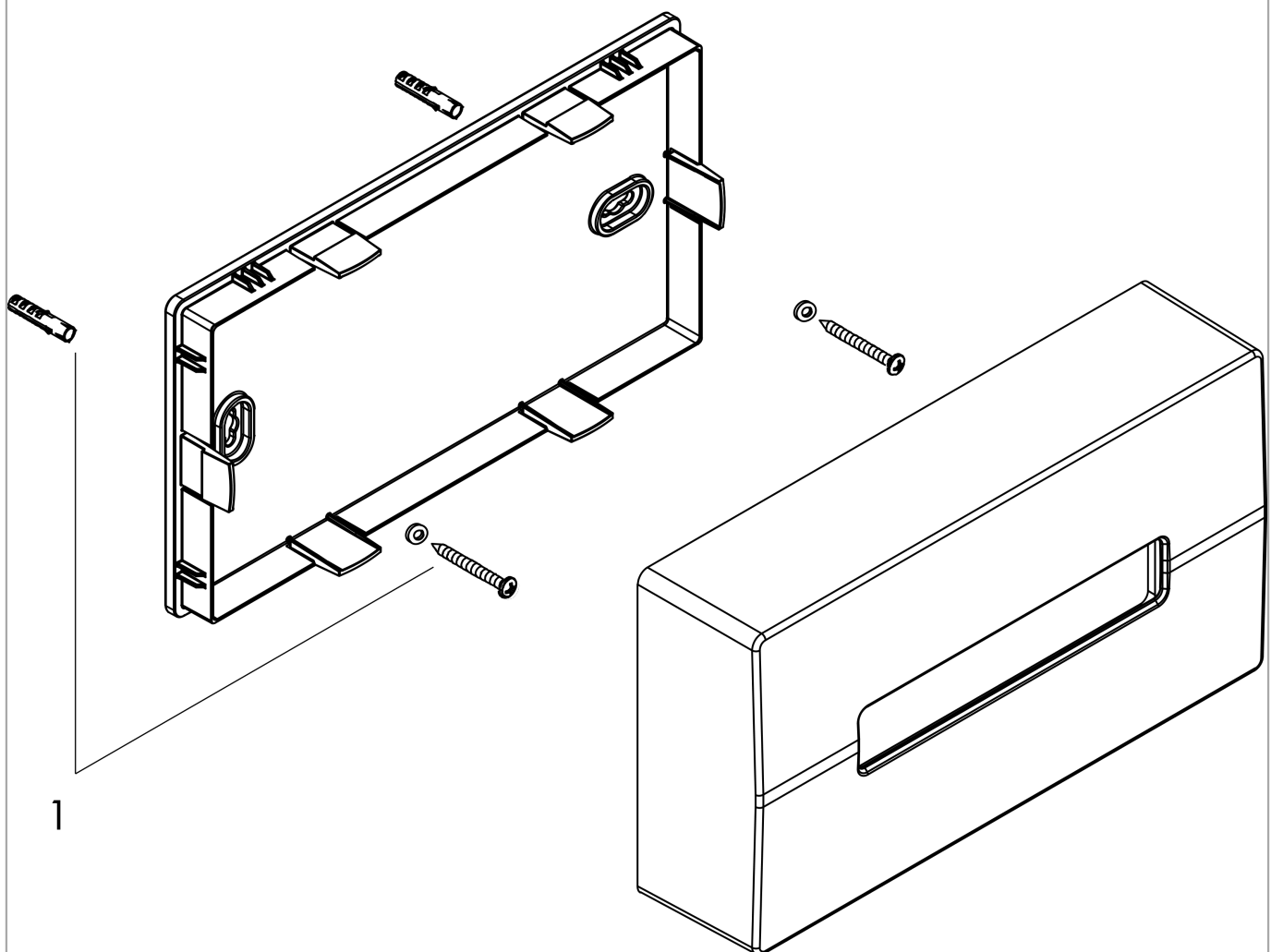
Surfaces: **Chrome**

Article Number: **41774000**



**Exploded Drawing**

Year of production: >04/21



**AddStoris**

**Tissue box**

Surfaces: **Chrome** Article Number: **41774000**



**Spare part list**

Year of production: >04/21

<b>Pos.</b>	<b>Description</b>	<b>Article Number</b>	<b>Price</b>	<b>PU</b>
1	mounting set	40915000	-	1