

AXOR ShowerSolutions

Thermostatic module Select 670/90 for 5 functions for concealed installation

Surfaces: **Chrome** Article Number: **18358000**



Description

product features

- consists of: Thermostatic module, shower holder
- depending on volume flow and installation situation approx. 50% flow rate reduction and integrated shut off function
- 5 outlets
- simultaneous use of several outlets
- Select push-button on/off control for 5 outlets
- maximum flow rate at 0.3 MPa: 26 l/min
- thermostat cartridge, Select valve
- min. operating pressure: 1 bar
- max. operating pressure: 10 bar
- safety lock at 40° C
- temperature limitation adjustable
- hose nut: for shower hoses with conical or cylindrical nut on both sides
- connection type: basic set

Technology



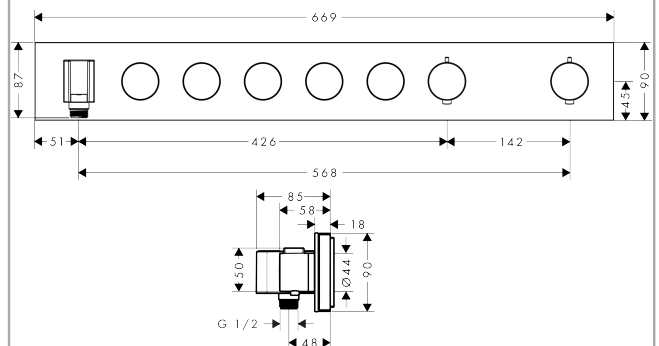
Design awards



Product image



Scale drawing

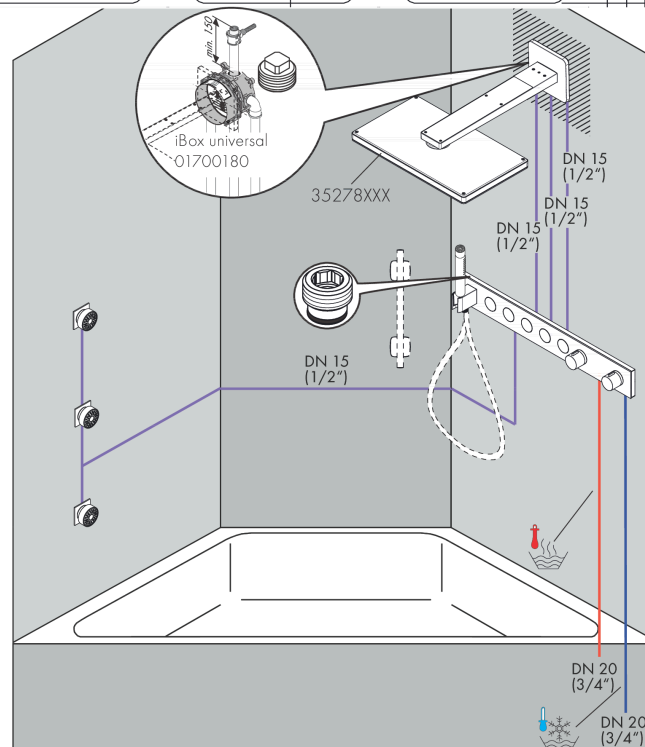
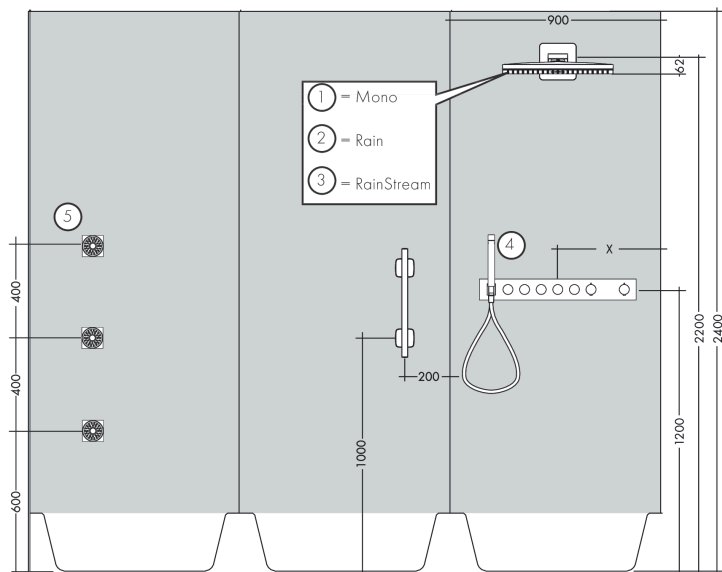
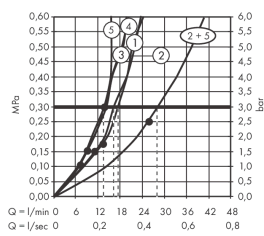


AXOR ShowerSolutions
Thermostatic module Select 670/90 for 5 functions for concealed installation
 Surfaces: **Chrome** Article Number: **18358000**



Installation examples

AXOR Select
 1831318X/18358XXX

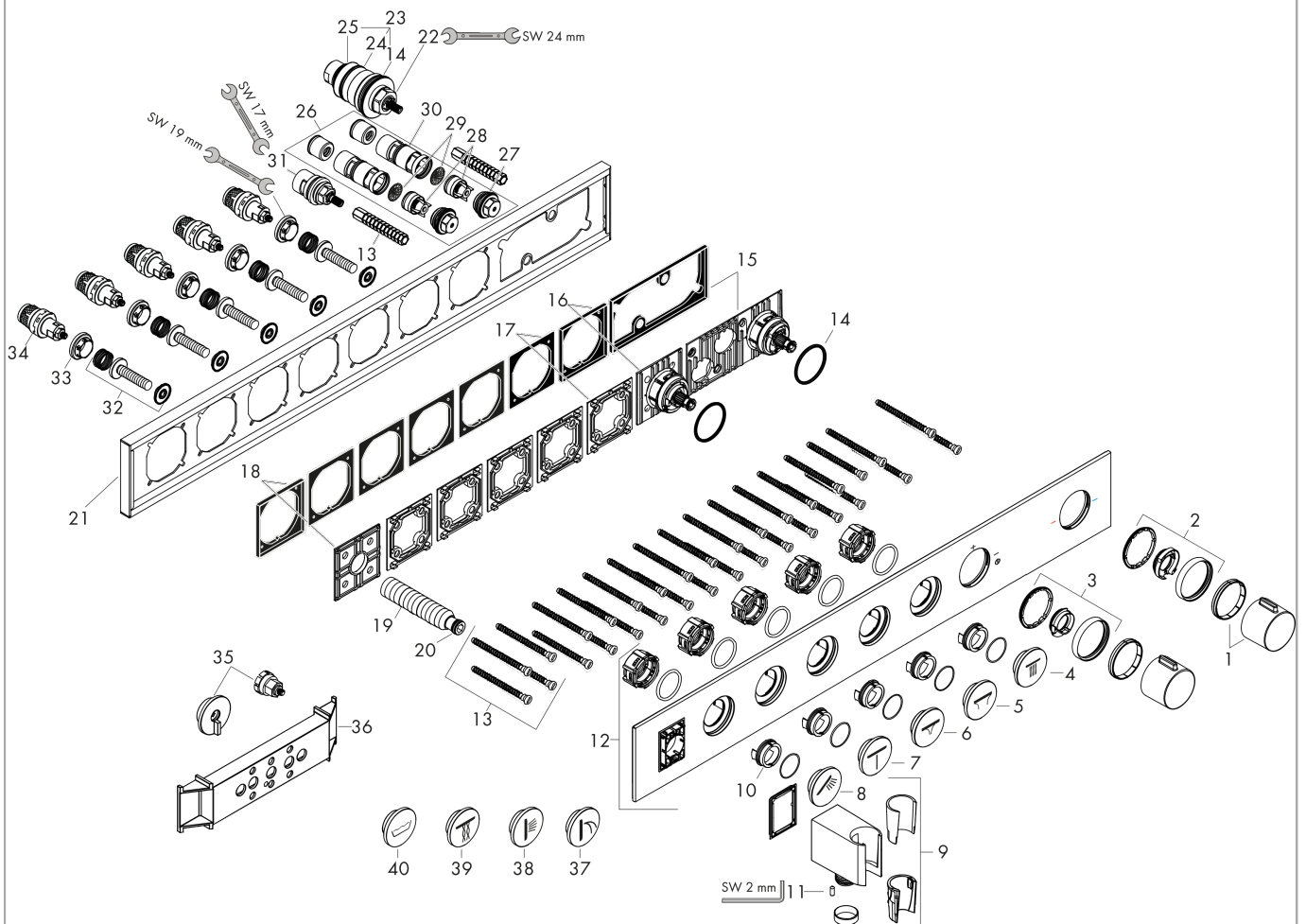


AXOR ShowerSolutions
Thermostatic module Select 670/90 for 5 functions for concealed installation
 Surfaces: **Chrome** Article Number: **18358000**



Exploded Drawing

Year of production: >01/18



AXOR ShowerSolutions
Thermostatic module Select 670/90 for 5 functions for concealed installation
 Surfaces: **Chrome** Article Number: **18358000**



Spare part list

Year of production: >01/18

Pos.	Description	Article Number	PC	PU
1	handle for thermostat	93313000	0	1
2	safety set	93337000	0	1
3	safety set	93338000	0	1
4	symbol head shower	93308000	0	1
5	symbol PowderRain outside	93312000	0	1
6	symbol PowderRain inside	93311000	0	1
7	symbol Mono	93310000	0	1
8	symbol handshower	93307000	0	1
9	shower holder, assy	93114000	0	1
10	adapter for symbol	93398000	0	1
11	hollow set screw M4x8	97669000	0	1
12	cover	93325000	0	1
13	mounting kit	93102000	0	1
14	O-ring 38x2,5	98198000	0	1
15	adapter for handle	93109000	0	1
16	adapter for handle	93315000	0	1
17	support element	93330000	0	1
18	support element	93314000	0	1
19	connecting thread G½	98933000	0	1
20	O-ring 11x2	98127000	0	1
21	escutcheon	93329000	0	1
22	thermostat cartridge	96633000	0	1
23	sealing set	96636000	0	1
24	O-ring 34x2	98383000	0	1
25	O-ring 26x2	98147000	0	1
26	service unit	93406000	0	1
27	O-ring 20x2	98165000	0	1
28	non return valve	96655000	0	1
29	filter	97367000	0	1
30	O-ring 20x1,5	98197000	0	1
31	shut off unit	98536000	0	1
32	Select-adapter	93103000	0	1
33	nut	98368000	0	1
34	shut off unit	95758000	0	1

AXOR ShowerSolutions
Thermostatic module Select 670/90 for 5 functions for concealed installation
 Surfaces: **Chrome** Article Number: **18358000**



Spare part list

Year of production: >01/18

Pos.	Description	Article Number	PC	PU
35	fit-up aid	93487000	0	1
36	fit-up aid	92540000	0	1
37	symbol Flood jet	93309000	0	1
38	symbol body shower	93334000	0	1
39	symbol Whirl	93413000	0	1
40	symbol tub	93335000	0	1
a	-	18313180	0	1
b	extension 25 mm	93435000	0	1
c	extension 16 mm	93440000	0	1