

AXOR ShowerSolutions
Overhead shower 250/250 1jet with shower arm
 Surfaces: **Chrome** Article Number: **35306000**

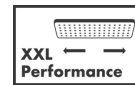


Description

product features

- consists of: overhead shower, shower arm
- shower head size: 250 x 250 mm
- shower arm length: 450 mm
- spray type: PowderRain
- flow rate PowderRain (at 3 bar): 17 l/min
- dynamic spray nozzles move out while using
- fully chrome-plated spray disc
- material spray disc: metal
- overhead shower for cleaning removable
- ServiceCard with sieve and flow restrictor can be removed without tools for cleaning purpose
- installation: wall
- connection thread G 1/2
- connection dimension: DN15

Technology



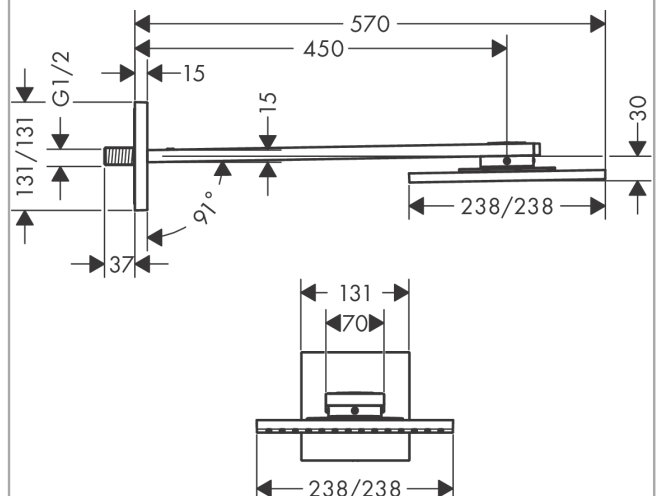
Design awards



Product image



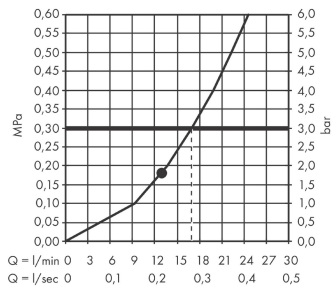
Scale drawing



AXOR ShowerSolutions
Overhead shower 250/250 1jet with shower arm
 Surfaces: **Chrome** Article Number: **35306000**



Flowchart

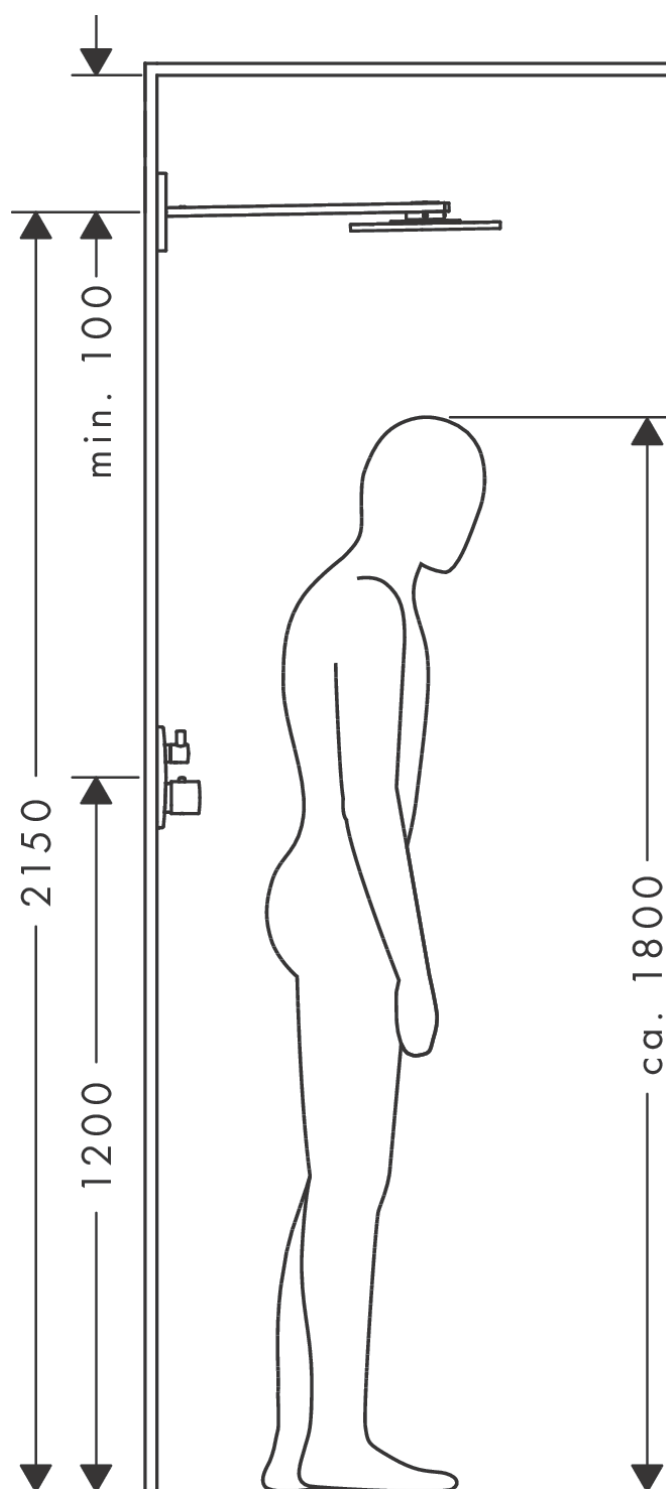


The consumption was measured in combination with the appropriate fittings (thermostat/mixer/
 in-wall valve) to reflect actual application in practice.

AXOR ShowerSolutions
Overhead shower 250/250 1jet with shower arm
Surfaces: **Chrome** Article Number: **35306000**



Installation examples

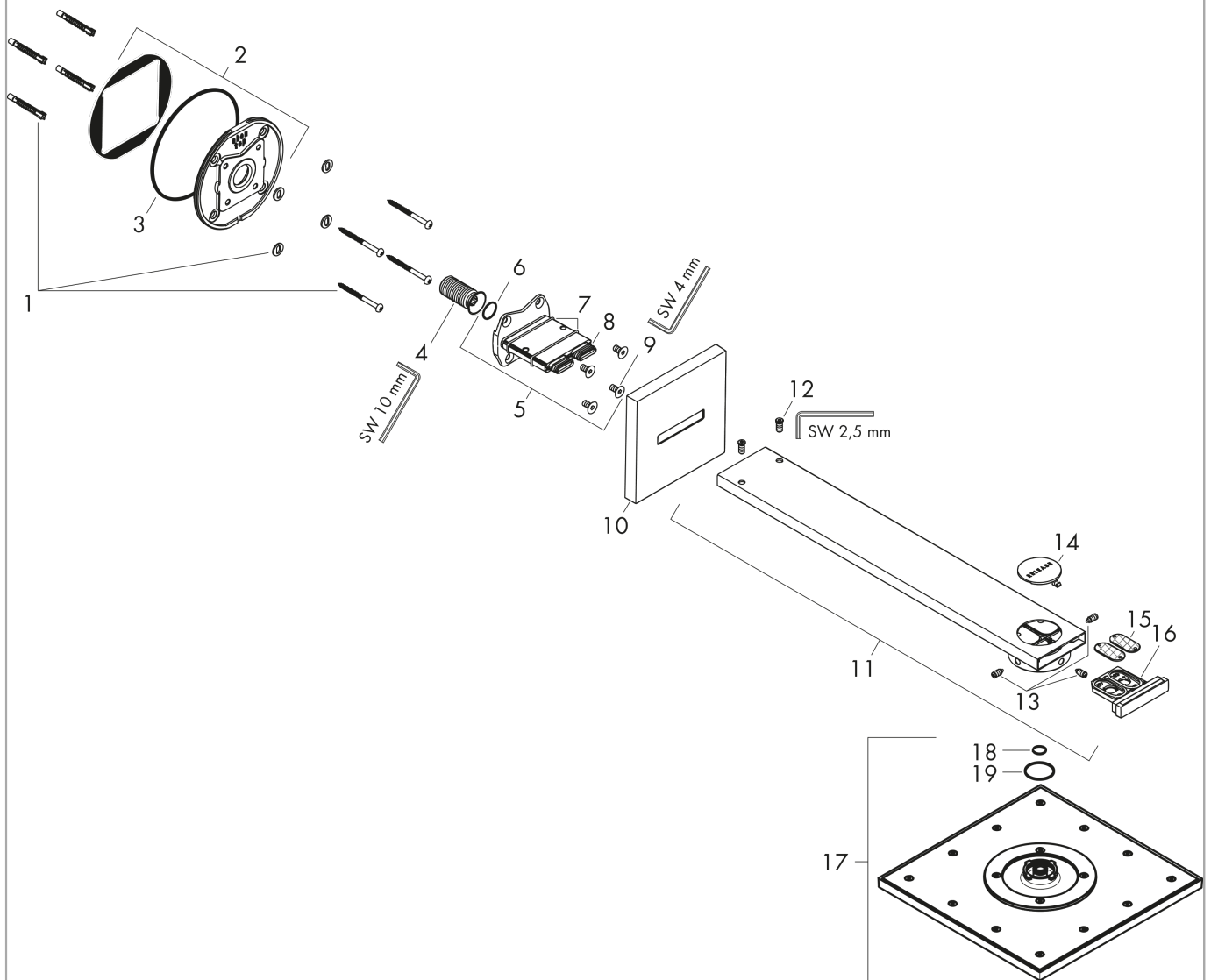


AXOR ShowerSolutions
Overhead shower 250/250 1jet with shower arm
Surfaces: **Chrome** Article Number: **35306000**



Exploded Drawing

Year of production: >10/18



AXOR ShowerSolutions
Overhead shower 250/250 1jet with shower arm
 Surfaces: **Chrome** Article Number: **35306000**



Spare part list

Year of production: >10/18

Pos.	Description	Article Number	PC	PU
1	mounting set	96179000	0	1
2	wall flange	93455000	0	1
3	O-ring 120x2,5	93399000	0	1
4	connecting thread G½	93419000	0	1
5	adapter for overhead shower	93456000	0	1
6	O-ring 17x1,5	98137000	0	1
7	O-Ring 30x2	98186000	0	1
8	O-Ring 14x1,5	98201000	0	1
9	screw	93431000	0	1
10	escutcheon	93400000	0	1
11	shower arm	93404000	0	1
12	screw	92137000	0	1
13	set of screws	93454000	0	1
14	press switch	93401000	0	1
15	filter	93402000	0	1
16	service unit	93403000	0	1
17	head shower	93452000	0	1
18	O-ring 12x1,5	98430000	0	1
19	O-Ring 28x2	98194000	0	1