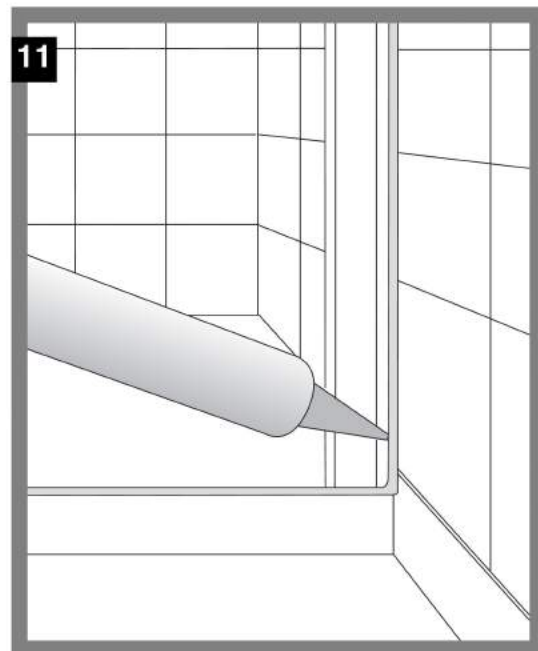
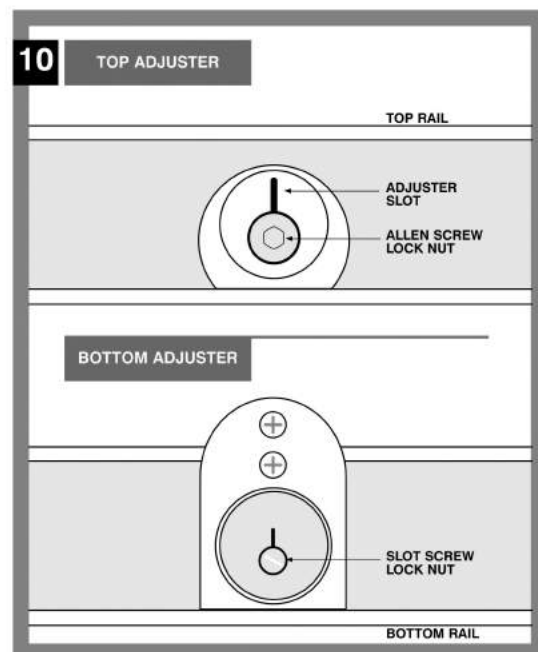
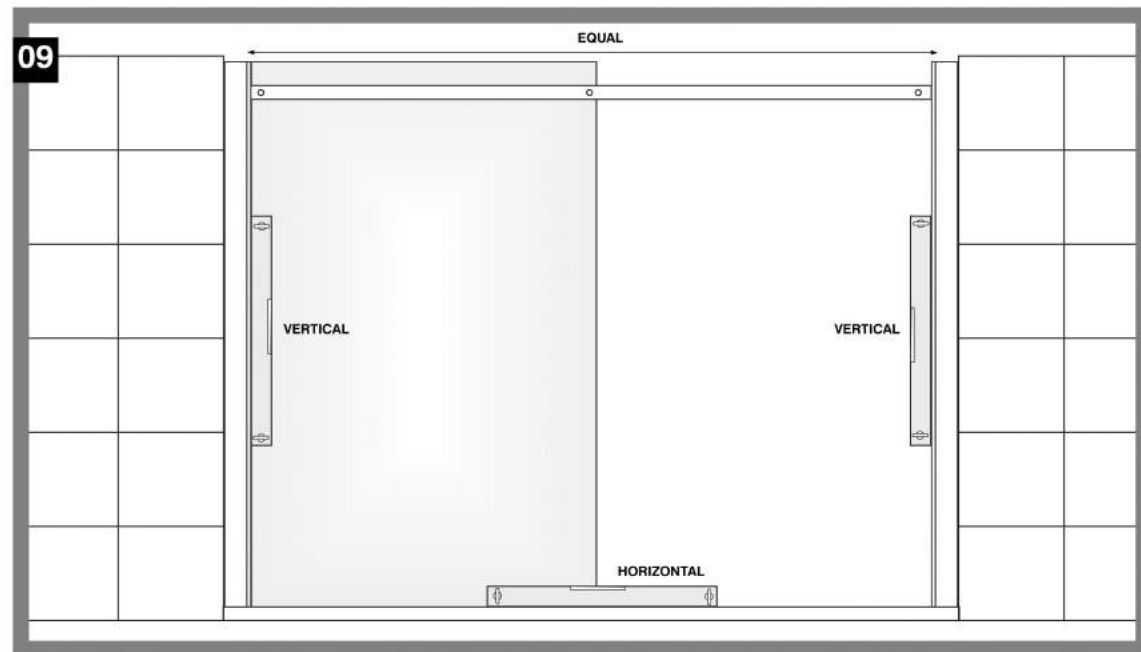


...continued.

9. Centralise the door frame within the two wall mounting profiles. Check that the door frame profiles are vertical on both sides and that the lower rail is horizontal. Tighten up the captive screws (Z) on both sides and then refit the cover strips to the wall mounting profiles using a rubber mallet if necessary. Then fit the top cover caps supplied.
10. To position the sliding glass door, stand inside the enclosure and lift the door, locating the top two rollers into the top rail and then engaging the bottom rollers into the bottom rail. The rollers have an adjustable cam which is set by unscrewing the slot head screw and turning the cam using the slot in the moulding. Raise or lower the adjustable rollers to allow parallel closing against the magnet seal on the edge of the glass the wall profile. Adjust the bottom roller cams to fully engage the bottom rail. Check the door glides smoothly with no drag, but ensure the roller wheels cannot become disengaged.
11. Apply a continuous small bead of silicone caulking to the outside edges of the enclosure. Also seal the inside vertical wall profile edge. Ensure a good seal is made and there are no pin holes in the sealant. Do NOT seal the inside horizontal edges of the wall mounting rails to ensure that any water drains back into the tray/wet area.

DO NOT USE THE SHOWER ENCLOSURE FOR 24 HOURS TO ENSURE SILICONE IS FULLY CURED AND WATERPROOF.



AQ/19/07/10 SS001

AQATA®



Spectra SP300 Sliding Door–Recess Option Issue 3 June 2011

We recommend the shower tray is fitted correctly and sealed prior to tiling. Tile down onto the tray and re-seal before installing the shower enclosure.

SP300 Sliding Door Recess Option

 TWO MAN INSTALLATION

IMPORTANT

Please read the following instructions and fully understand the process before attempting to fit.
Ensure that shower enclosure area is tiled prior to installation

Equipment Required

Power drill, 6mm masonry drill bit, tape measure, ruler, pencil, masking tape, sanitary grade silicone sealant, rubber mallet, posidrive screwdriver / bits, spirit level and the fitting kit supplied which includes wall plugs, screws, plastic tube and allen keys.

The components for the Spectra Sliding Door enclosure are packed in two boxes comprising:-

Box 1

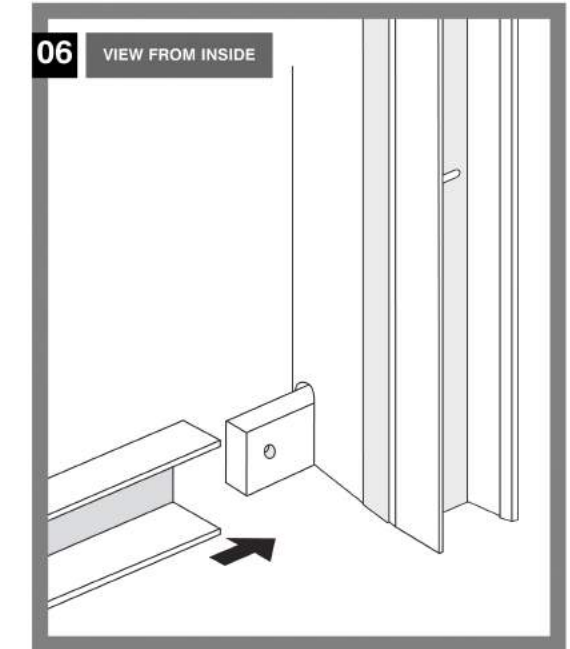
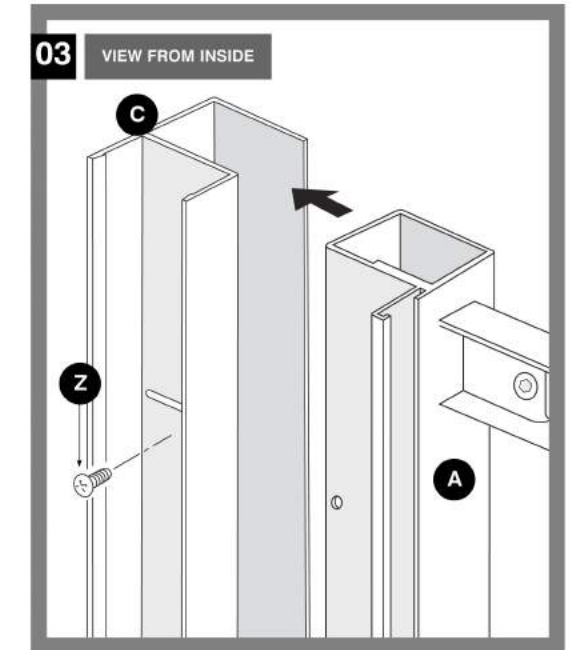
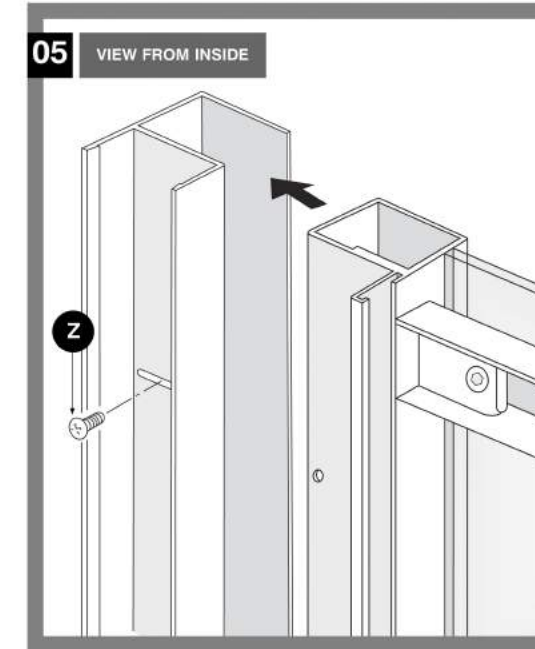
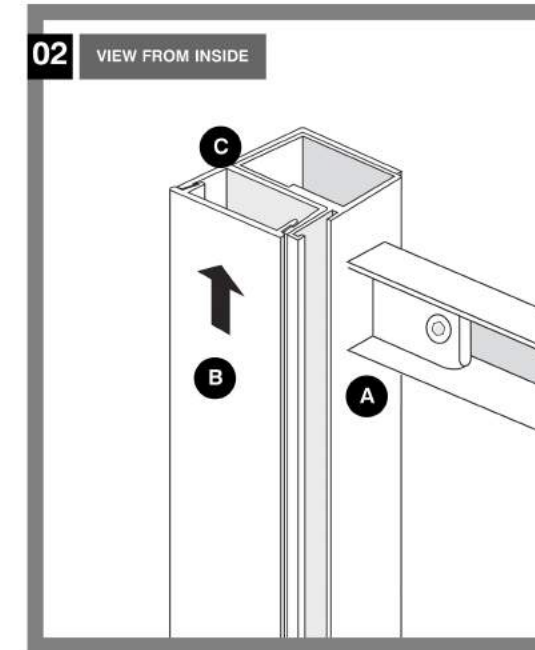
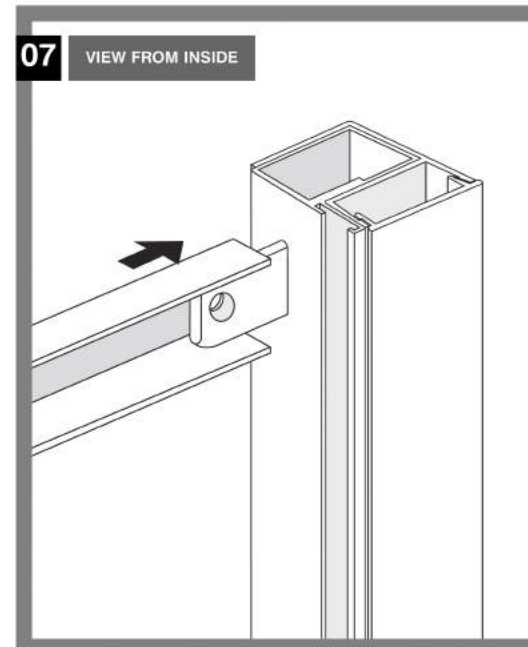
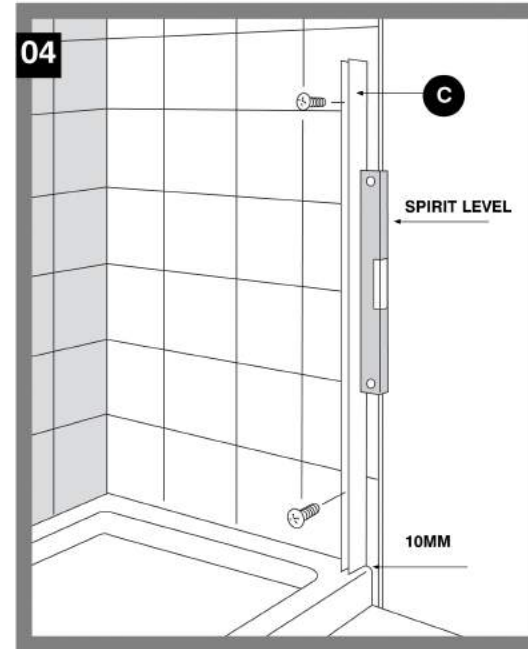
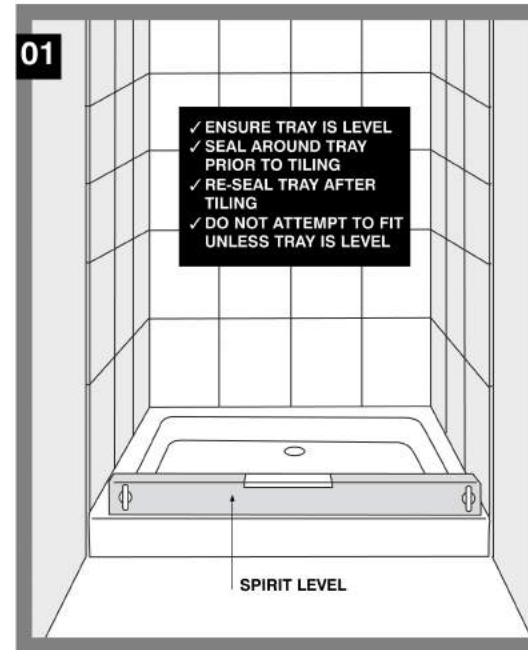
a) Main frame with adjustable wall mounting profiles and fixed glass screen, b) Handles, c) Installation Instructions and d) Squeegee.

Box 2

Sliding Glass Door

Please open boxes with care and notify your supplier immediately if anything is damaged.
Please do not discard packaging. Repack carefully if necessary.

- For wet room applications ensure the area is professionally sealed and flat where the screen meets the floor or walls. If fitting onto a shower tray follow manufacturer's installation instructions. Ensure the tray is level using a spirit level on at least two diagonals. Check the tray has been sealed correctly and sealant is cured before attempting to install the shower enclosure. We recommend sealing the tray prior to tiling, tiling down onto tray and re-sealing. The floor area around the tray should also be sealed and waterproof.
- The adjustable wall mounting profiles have concealed fixings. Remove cover strip (B) by sliding out from wall profile (A). Repeat procedure on opposite side of enclosure.
- Remove the captive screws (Z) from their TRANSIT position in wall profiles (C) do not discard these screws. Separate wall mounting profile (C) from the main profile (A). Repeat procedure on opposite side of enclosure.
- Locate the wall mounting profile in the correct position, 10mm in from edge of tray. Plumb true with spirit level. Place 3 horizontal strips of masking tape onto the tiles in line with the 3 pre-drilled slots in the mounting profiles. Check for level and mark through holes with a pencil. Also mark tape at side of profile. Drill and plug the wall. Remove masking tape. Re-locate wall mounting profile, re-checking for plumb. Use the plastic tube from the fitting kit to hold the stainless steel screws provided, insert a cross point screwdriver into the tube to locate the head of the screw. Locate the screw into the wall plug through the wall mounting profile. Tighten screws re-checking with spirit level before tightening fully.
- Slide the door frame (on the fixed glass side) into the wall mounting profile. Re fit captive screws (Z) through the adjustment slot in the wall profile into the pre drilled hole in the main frame, but do not tighten fully until the enclosure is assembled.
- On the opposite side, undo and remove the Allen screw that holds the lower rail onto the door frame of the enclosure.
- Undo and remove the Allen screw that holds the top rail onto the door frame of the enclosure. Separate the door frame section from the top and bottom rails by pulling the top and bottom rails outwards from the enclosure.
- Take the (separated) door frame and slide it into the wall mounting profile. Reconnect the top and bottom rails to the door frame section with the Allen screws (you may need to adjust the door frame within the wall mounting profile to achieve this). Refit the captive screws (Z) into the frame but do not tighten.



AQATA
... the next generation of showering

Aqata provides the perfect solution for any bathroom

Visit our website
www.aqata.co.uk