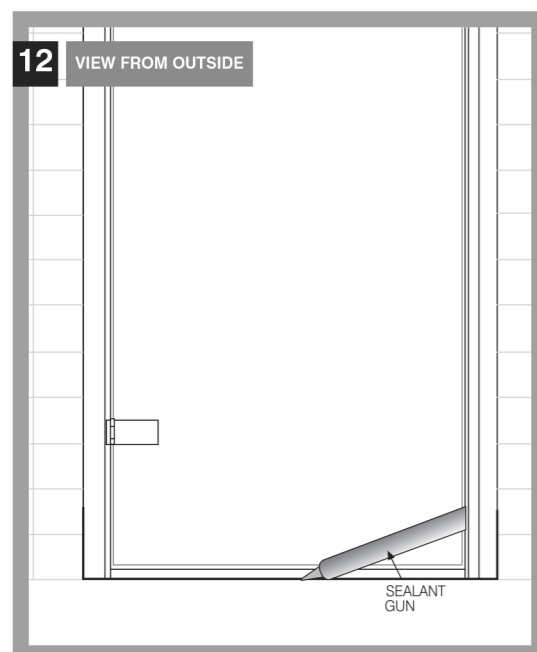
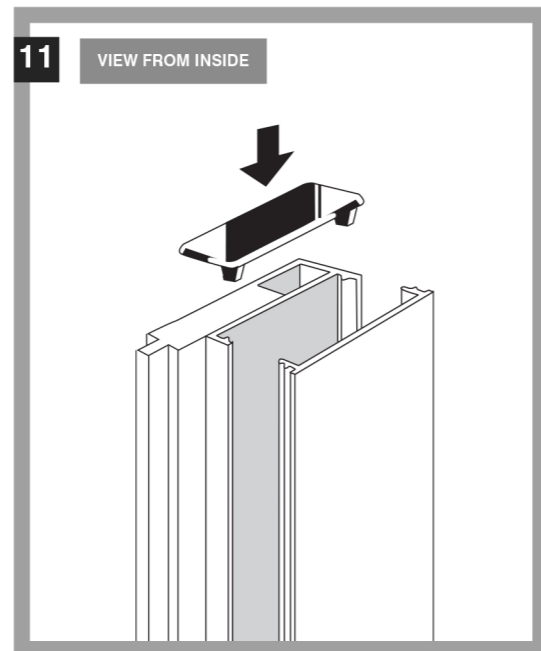
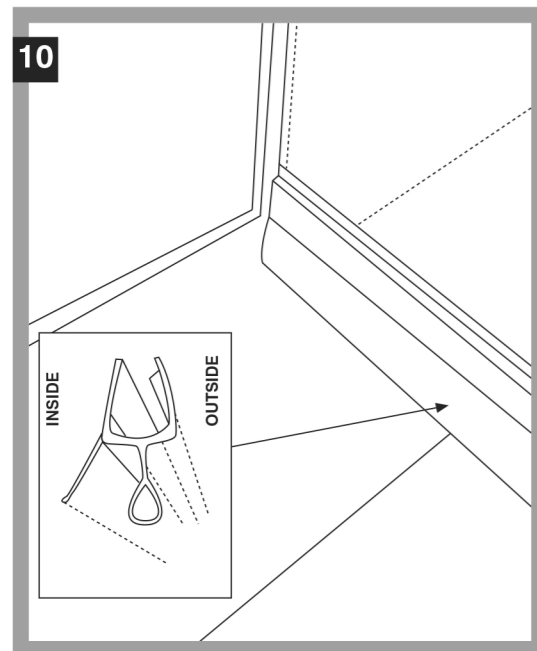


10. Fit the lower sealing strip to the bottom edge of the glass door ( refer to diagram).
11. Ensure all screws are properly tightened and then refit the cover strips (B) to the back of the wall mounting profiles (A). Fit cover caps to top of wall mounting profiles.
12. **SILICONE SEALING** - clean and degrease glass/ tray/ floor before sealing.

*INSIDE:* Apply a continuous small bead of silicone sealant to the vertical wall mounting profile to wall joint. **DO NOT SEAL THE LOWER HORIZONTAL OF THE WALL MOUNTING PROFILE ON THE INSIDE TO ENSURE THAT ANY WATER DRAINS BACK INTO THE TRAY/WET AREA.**

*OUTSIDE:* Apply a continuous bead of silicone to the lower edge joint of enclosure and shower tray/floor. Also seal vertically up the wall mounting profile on each side to a height of 100mm. Ensure a good seal is made and there are no pin holes.

**DO NOT USE THE SHOWER SCREEN FOR 24 HOURS TO ENSURE SILICONE IS FULLY CURED AND WATERPROOF.**



## Installation Instructions

### Spectra SP455 Hinged Door for Recess

Issue 2 - July 2012

We recommend the shower tray is fitted correctly and sealed prior to tiling.  
Tile down onto the tray and re-seal before installing the shower enclosure.

# Spectra SP455

## Hinged Door for Recess

**TWO MAN INSTALLATION**

Ensure that shower enclosure area is tiled prior to installation.

### Equipment Required

Power drill, 6mm masonry drill bit, tape measure, ruler, pencil, masking tape, sanitary grade silicone sealant, rubber mallet, posidrive screwdriver / bits, spirit level and the fitting kit supplied.

Please open boxes with care and notify your supplier immediately if anything is damaged. Please do not discard packaging. Repack carefully if necessary.

### 1. GENERAL INSTRUCTIONS

Ensure that the shower area is tiled prior to installing this shower door. For wet room applications ensure the area is professionally sealed and flat where the shower door meets the floor or walls. If fitting onto a shower tray follow manufacturer's installation instructions. Ensure the tray is level using a spirit level on at least two diagonals. Check the tray has been sealed correctly and sealant is cured before attempting to install the enclosure. We recommend sealing the tray prior to tiling, tiling down onto tray rim and then re-sealing. The floor area around the tray should also be sealed and waterproof.

### 2. FITTING THE WALL MOUNTING PROFILES

The adjustable wall mounting profile has concealed fixings. Remove cover strip (B) from wall mounting profile (A)

3. Remove captive screws and separate wall mounting profiles from main frame sections (C and D).

4. Locate each wall mounting profile in the correct position, 25mm in from the edge of the tray (as shown in diagram) and equidistant from the front of the shower tray rim.

5. Plumb true with a spirit level. Place three horizontal strips of masking tape onto the tiles in line with the three pre drilled slots in the wall mounting profile, check for vertical again and mark through slots with a pencil. Also mark the tape at side of profile. Drill and plug the wall. Remove masking tape and relocate the wall mounting profile. Using the plastic tube from the fixing kit to hold the stainless steel screws provided, insert a posidrive screwdriver into the tube to locate the head of each screw. Locate the screw into the wall plug through the wall mounting profile and tighten. Re check with spirit level before tightening screws fully.

### 6. FITTING THE DOOR

Leave all the glass protection pieces on the glass. With the aid of a second person, lift the glass door (which is already connected to the hinge profile (C) by the two hinges) and slide the hinge profile (C) into its wall mounting profile. Re-position screws through the wall mounting profile into the pre drilled holes in the frame of the screen, but do not tighten fully at this point.

7. Slide the closing jamb section (D) into its wall mounting profile. Re-position screws through the main wall mounting profile into the pre drilled holes in the frame of the screen, but do not tighten fully at this point.

8. Remove screws from the cleat at the bottom of vertical profiles C and D. Take the bottom rail (E) from its packaging and place it over the lower locating cleats on each side. At this point you will have to adjust the hinge profile (C) and the closing jamb section (D) to give the correct dimension. This can be achieved by slackening off the screws in the wall mounting profiles and sliding the hinge profile and/or closing jamb inwards or outwards. Re-fit the screws through the lower rail into the cleat on each side. Make sure the glass door is central within the wall mounting profiles. Check the closing jamb (D) and the hinge profile (C) are vertical using a spirit level.

9. Remove all glass protection pieces and fit the bubble seal to the back edge of the glass door. Fit the vertical seal to the closing jamb (D) and carefully close the glass door into the seal.

**Note: Fine adjustments can be made to ensure a good closing action by slackening off the allen screws on the back of each hinge and moving the glass within the hinges.**

