

AXOR MyEdition
Single lever basin mixer for concealed installation wall-mounted
 Surfaces: **Chrome/Mirror Glass** Article Number: **47060000**



Description

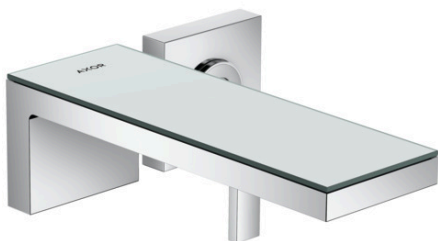
product features

- consists of: Single lever basin mixer for concealed installation wall-mounted, waste set
- projection 221 mm
- plate of glass made of safety glass
- spray type: PowderRain
- flow rate at 3 bar: 5 l/min
- ceramic cartridge
- temperature limitation adjustable
- with isolated water conduction
- suitable for continuous flow water heaters
- non-closing waste set
- connection dimension: DN15
- handle can be positioned on the right or left, depends on the basic set installation

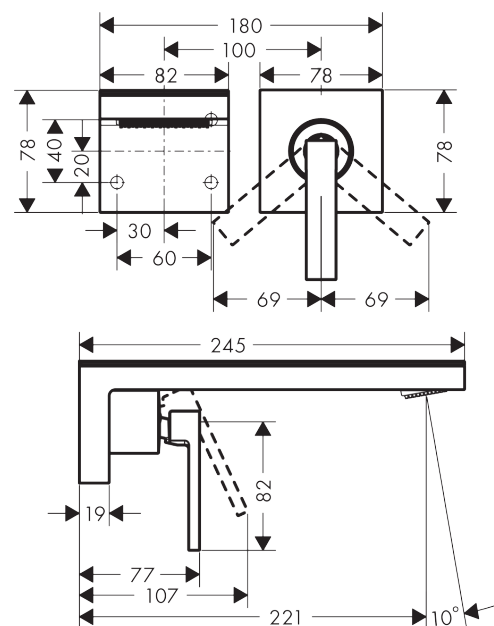
Technology



Product image



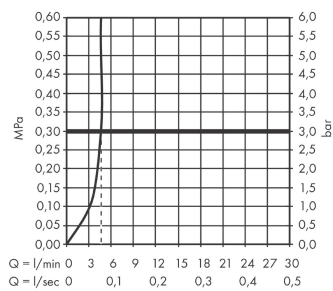
Scale drawing



AXOR MyEdition
Single lever basin mixer for concealed installation wall-mounted
Surfaces: **Chrome/Mirror Glass** Article Number: **47060000**



Flowchart

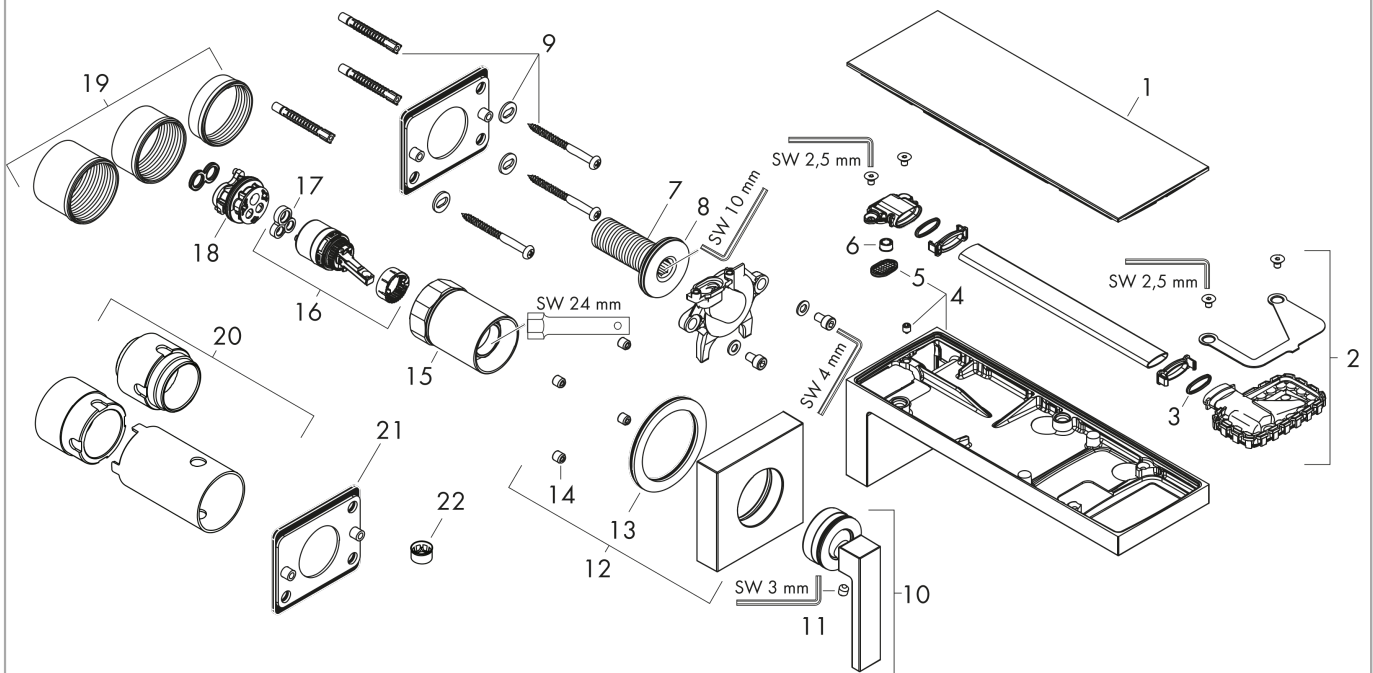


AXOR MyEdition
Single lever basin mixer for concealed installation wall-mounted
 Surfaces: **Chrome/Mirror Glass** Article Number: **47060000**



Exploded Drawing

Year of production: >10/18



AXOR MyEdition
Single lever basin mixer for concealed installation wall-mounted
 Surfaces: **Chrome/Mirror Glass** Article Number: **47060000**



Spare part list

Year of production: >10/18

Pos.	Description	Article Number	PC	PU
1	cover	47901000	0	1
2	spray former	93385000	0	1
3	O-ring 13x1,5	98475000	0	1
4	spout 220 mm	93370000	0	1
5	filter packing	93374000	0	1
6	flow limiter (5 l/min)	95311000	0	1
7	connecting thread G½	93387000	0	1
8	O-ring 36x2	98156000	0	1
9	mounting set	96179000	0	1
10	handle	93372000	0	1
11	O-ring 33x1,5	98164000	0	1
12	escutcheon for handle	93371000	0	1
13	washer	97600000	0	1
14	screw cover	96762000	0	1
15	sleeve	93373000	0	1
16	cartridge, assy	92900000	0	1
17	seal	93383000	0	1
18	O-ring 26x2	98147000	0	1
19	fixing set	97971000	0	1
20	extension 25 mm	13586000	0	1
21	installation plate	93407000	0	1
22	flow limiter (4 l/min)	92560000	0	1
a	pop up waste	51301000	0	1