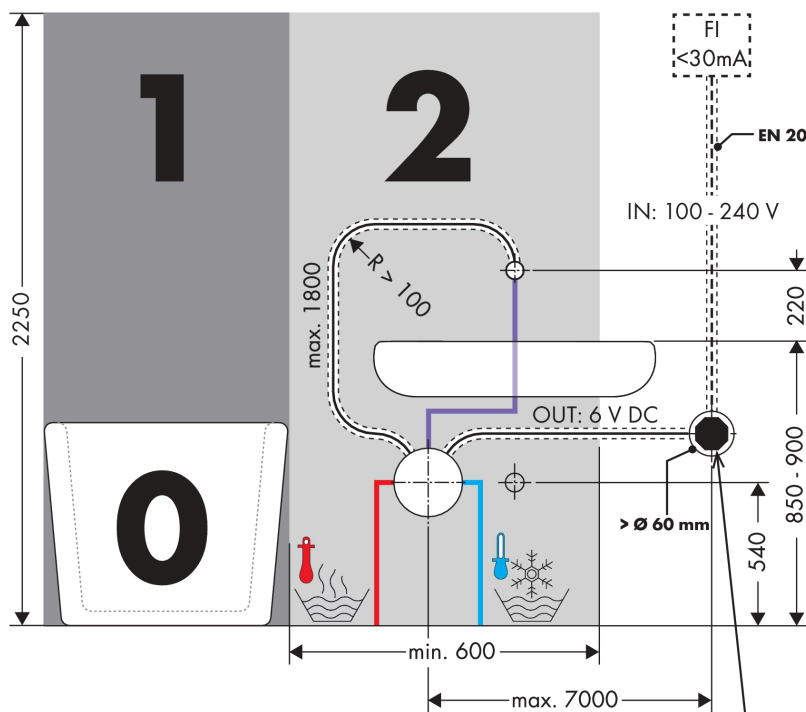


Basic set for electronic basin mixer for concealed installation wall-mounted
 Surfaces: n.a. Article Number: 16180180

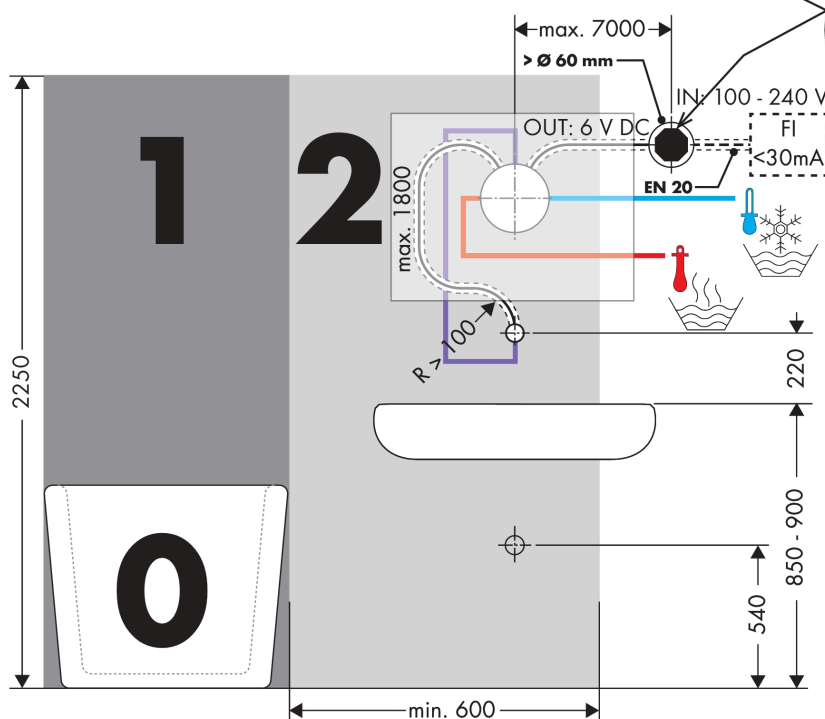
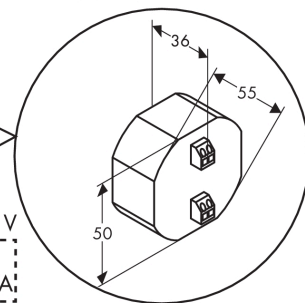


Installation examples



DIN VDE 0100 Teil 701 / IEC 60364-7-701

- 0, 1, 2 = Schutzbereich
- 0, 1, 2 = Zone de protection
- 0, 1, 2 = Protected area
- 0, 1, 2 = Zona protetta
- 0, 1, 2 = Área protegida
- 0, 1, 2 = Veiligheidszone
- 0, 1, 2 = Beskyttelsesklasse
- 0, 1, 2 = Área de protecção
- 0, 1, 2 = Srefo ochronna
- 0, 1, 2 = Chránená oblasť
- 0, 1, 2 = Ochranná oblasť
- 0, 1, 2 = 保护区
- 0, 1, 2 = Защитная зона
- 0, 1, 2 = Biztonsági zóna
- 0, 1, 2 = Suoja-alue
- 0, 1, 2 = Skyddsområde
- 0, 1, 2 = Saugos zona
- 0, 1, 2 = Zaštitno područje
- 0, 1, 2 = Koruma bölgesi
- 0, 1, 2 = Domeniu de protecție
- 0, 1, 2 = Εύρος προστασίας
- 0, 1, 2 = Zaštitno območje
- 0, 1, 2 = Kaistse ulatus
- 0, 1, 2 = Aizsardzības zona
- 0, 1, 2 = Zaštitno područje
- 0, 1, 2 = Beskyttelseszone
- 0, 1, 2 = Диапазон на защита
- 0, 1, 2 = Zona e mbrojtjes.
- 0, 1, 2 = منطقة حماية

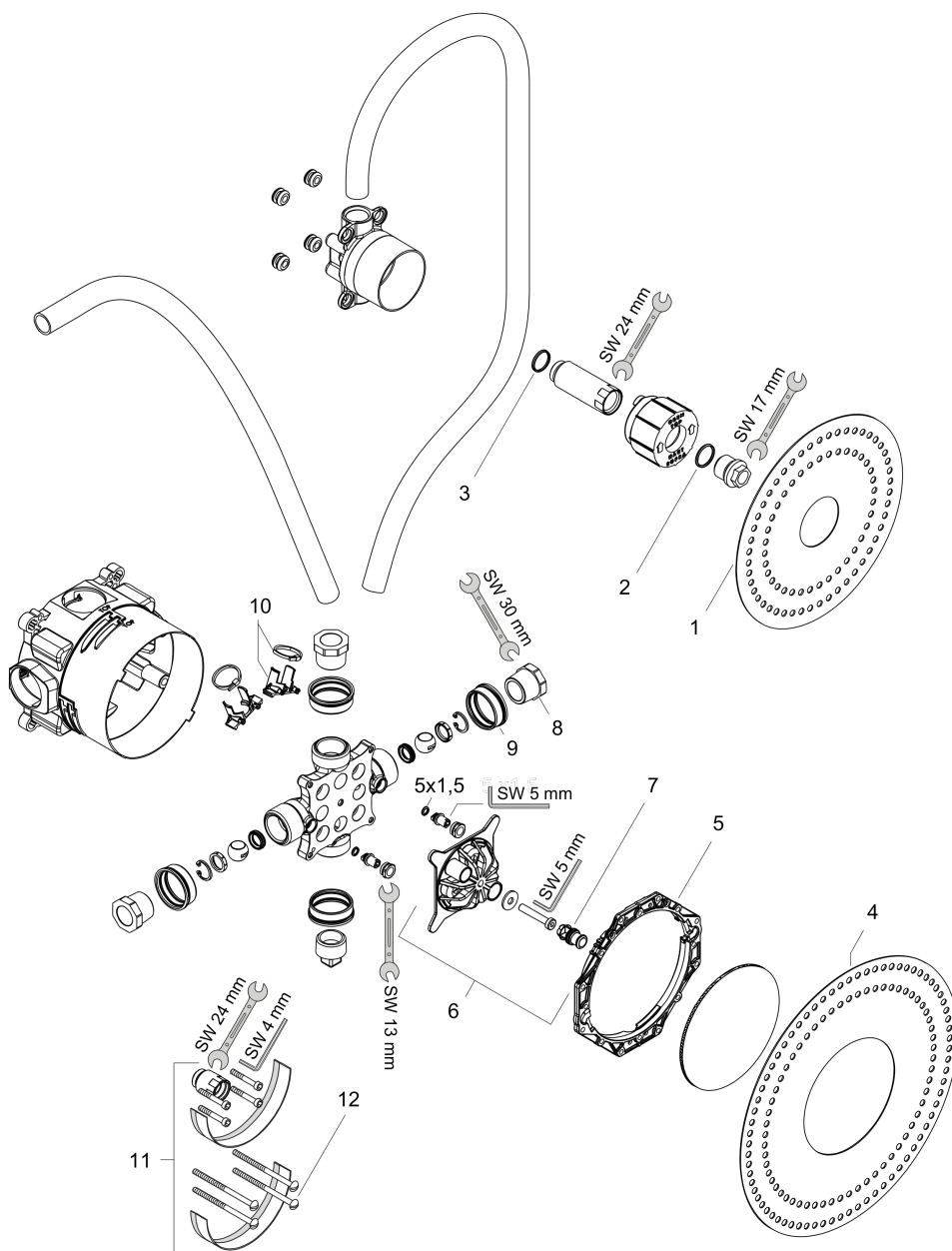


Basic set for electronic basin mixer for concealed installation wall-mounted
Surfaces: n.a. Article Number: 16180180



Exploded Drawing

Year of production: >01/12



Basic set for electronic basin mixer for concealed installation wall-mounted
 Surfaces: n.a. Article Number: **16180180**



Spare part list

Year of production: >01/12

Pos.	Description	Article Number	PC	PU
1	sealing foil	96493000	0	1
2	O-ring 18x2	98181000	0	1
3	O-ring 17x1,5	98137000	0	1
4	sealing foil	96445000	0	1
5	displacing ring	98797000	0	1
6	flushing unit complete	98560000	0	1
7	plug Ø 12 mm	97611000	0	1
8	reduction coupling	97759000	0	1
9	seal	97739000	0	1
10	adapter for wiring conduit	95260000	0	1
11	extension 25 mm	13594000	0	1
12	set of fixing screws	97747000	0	1