

AXOR Citterio

Electronic basin mixer for concealed installation wall-mounted with spout 221 mm

Surfaces: **Chrome** Article Number: **39118000**



Description

product features

- projection 221 mm
- normal spray
- flow rate at 3 bar: 5 l/min
- theft-proof aerator
- temperature adjustable via iBox
- infrared sensor technology
- automatic environmental adjustment of infrared sensor
- adjustable optical range of infrared sensor (5 settings)
- 230 V / 50 Hz mains connection
- manual water stop for washbasin cleaning
- for ideal function please note a minimum distance of 140 mm from the aerators center to the back rim of the wash basin
- TÜV certified
- dirt filters in the connection hoses

Technology



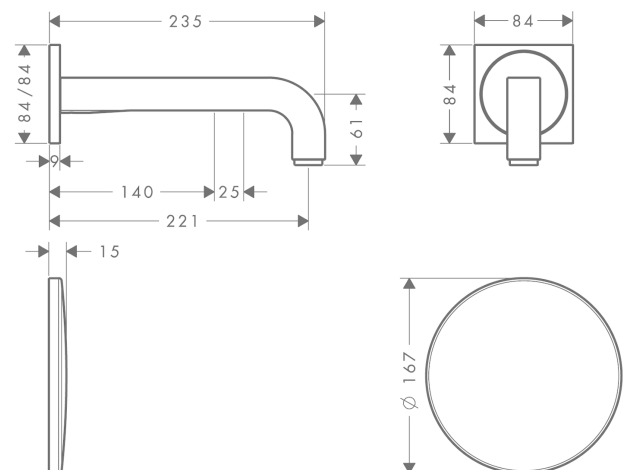
Design awards



Product image



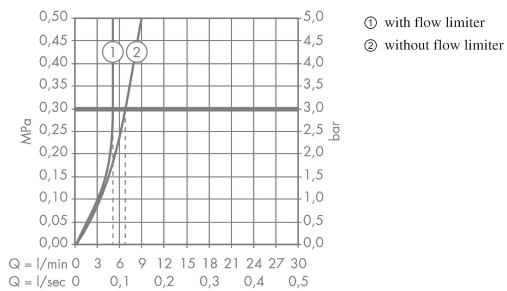
Scale drawing



AXOR Citterio
Electronic basin mixer for concealed installation wall-mounted with spout 221 mm
 Surfaces: **Chrome** Article Number: **39118000**



Flowchart



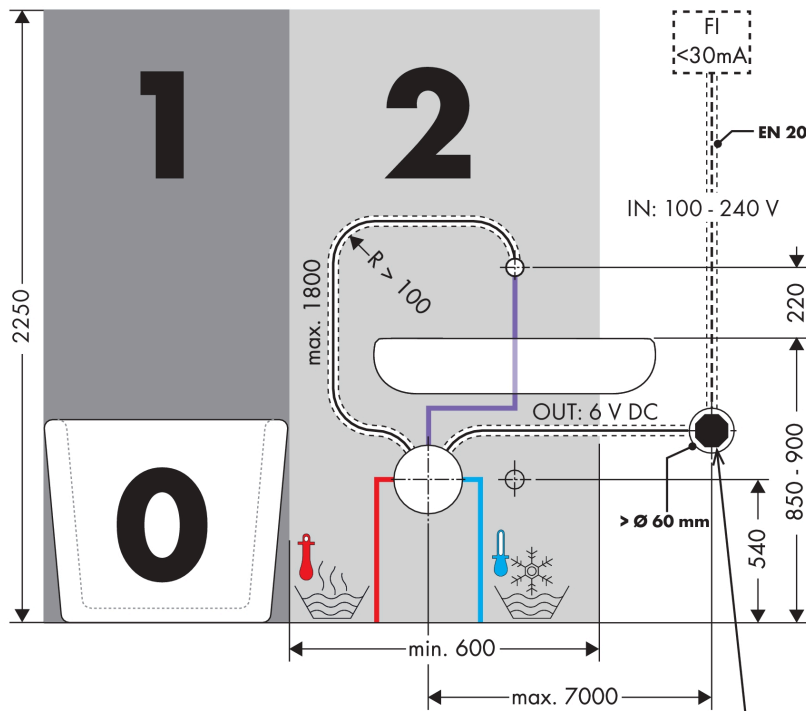
AXOR Citterio

Electronic basin mixer for concealed installation wall-mounted with spout 221 mm

Surfaces: **Chrome** Article Number: **39118000**

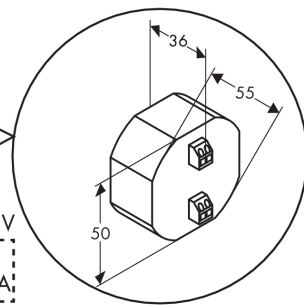
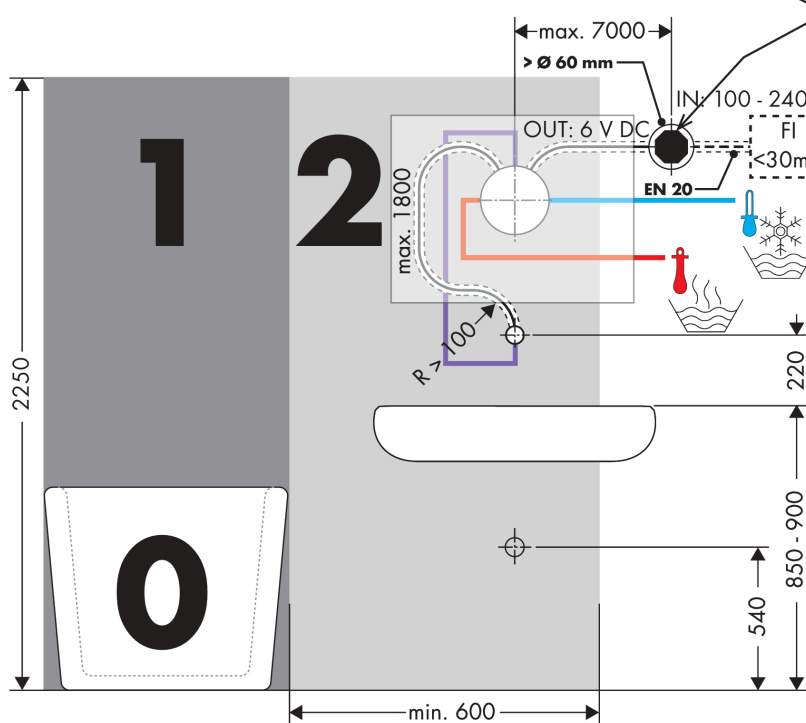


Installation examples



DIN VDE 0100 Teil 701 / IEC 60364-7-701

- 0, 1, 2 = Schutzbereich
- 0, 1, 2 = Zone de protection
- 0, 1, 2 = Protected area
- 0, 1, 2 = Zona proteotta
- 0, 1, 2 = Área protegida
- 0, 1, 2 = Veiligheidszone
- 0, 1, 2 = Beskyttelsesklasse
- 0, 1, 2 = Área de protecção
- 0, 1, 2 = Srefo ochronna
- 0, 1, 2 = Chráněná oblast
- 0, 1, 2 = Ochranná oblasť
- 0, 1, 2 = 保护区
- 0, 1, 2 = Защитная зона
- 0, 1, 2 = Biztonsági zóna
- 0, 1, 2 = Suoja-alue
- 0, 1, 2 = Skyddsområde
- 0, 1, 2 = Saugos zona
- 0, 1, 2 = Zaštitno područje
- 0, 1, 2 = Koruma bölgesi
- 0, 1, 2 = Domeniu de protecție
- 0, 1, 2 = Εύρος προστασίας
- 0, 1, 2 = Zaštitno območje
- 0, 1, 2 = Kaite ulatus
- 0, 1, 2 = Aizsardzības zona
- 0, 1, 2 = Zaštitno područje
- 0, 1, 2 = Beskyttelseszone
- 0, 1, 2 = Диапазон на защита
- 0, 1, 2 = Zona e mbrojtjes.
- 0, 1, 2 = منطقة حماية

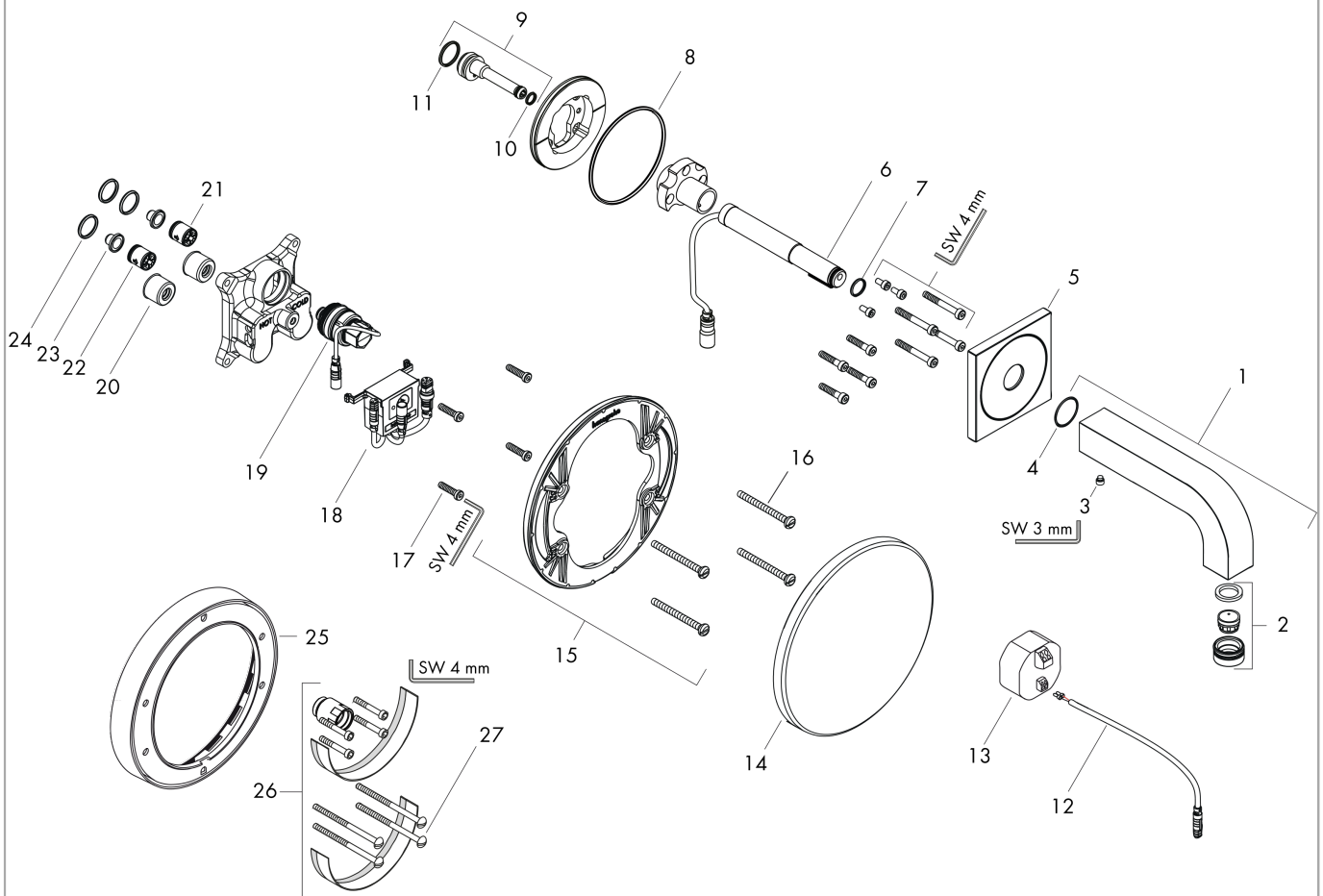


AXOR Citterio
Electronic basin mixer for concealed installation wall-mounted with spout 221 mm
 Surfaces: **Chrome** Article Number: **39118000**



Exploded Drawing

Year of production: >01/12



AXOR Citterio

Electronic basin mixer for concealed installation wall-mounted with spout 221 mm

Surfaces: **Chrome** Article Number: **39118000**



Spare part list

Year of production: >01/12

Pos.	Description	Article Number	PC	PU
1	spout 220 mm	95948000	0	1
2	aerator M24x1 (5 l/min)	98802000	0	1
3	hollow set screw M6x6	97660000	0	1
4	O-ring 22x1,5	98173000	0	1
5	escutcheon	95943000	0	1
6	electronics	95949000	0	1
7	O-ring 12x1,5	98430000	0	1
8	O-ring 76x2,5	98431000	0	1
9	connecting thread	92449000	0	1
10	O-ring 7x1,5	98422000	0	1
11	O-ring 17x1,5	98137000	0	1
12	cable for illumination (12 V)	95586000	0	1
13	transformer	95945000	0	1
14	escutcheon Ø 170 mm	95946000	0	1
15	sub plate	96447000	0	1
16	set of fixing screws	96454000	0	1
17	set of screws	96525000	0	1
18	control system	95947000	0	1
19	solenoid valve 6 V	96904000	0	1
20	noise reduction	94073000	0	1
21	set of non return valves DW 15	94074000	0	1
22	non return valve (pressure-resistant up to 2 MPa)	92594000	0	1
23	filter packing	95291000	0	1
24	O-ring 16x2	98133000	0	1
25	extension 22 mm (Ø 170 mm)	13596000	0	1
26	extension 25 mm	13594000	0	1
27	set of fixing screws	97747000	0	1
a	concealed item	16180180	0	1
b	conversion kit with push button	95977000	0	1
c	cable extension set 5 m	95997000	0	1