

**AXOR Starck Organic**  
**Electronic basin mixer with temperature pre-adjustment battery-operated**  
 Surfaces: **Chrome** Article Number: **12172000**



## Description

### product features

- ComfortZone 90
- shower spray
- swiveling spray former
- flow rate at 3 bar: 3.5 l/min
- with isolated water conduction
- suitable for continuous flow water heaters
- infrared sensor technology
- automatic environmental adjustment of infrared sensor
- adjustable optical range of infrared sensor (2 settings)
- battery operation 6 V (Lithium battery, lifetime approx. 2 years, battery included in scope of delivery)
- hygiene rinse activatable (automatic water flow for 10 seconds every 24 hours following the last operation)
- permanent rinse activatable (single water flow for 180 seconds, suitable for thermal disinfection)
- manual water stop for washbasin cleaning
- performance may be impaired if the sensor is obscured by the design of the wash basin, or when the wash basin is oversized and the distance between sensor and the wash basin edge is larger than 75 mm
- functional restriction due to too large distance
- connection dimension: DN15
- dirt filters in the connection hoses

## Technology



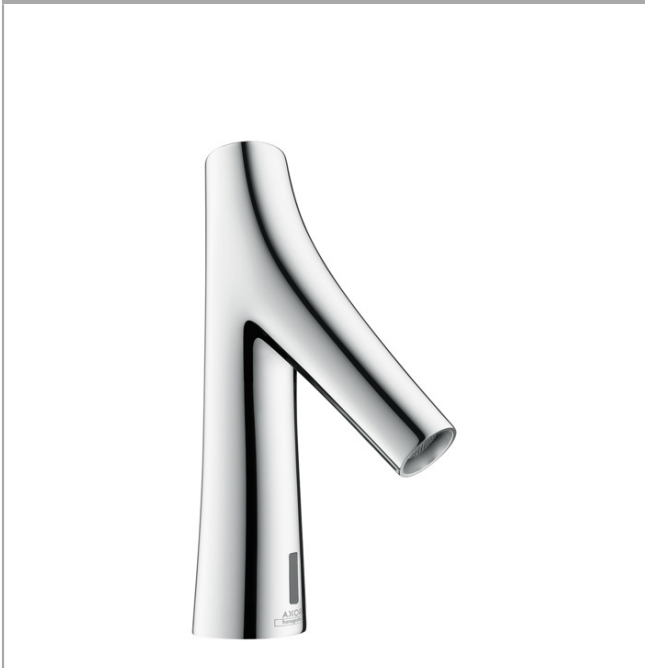
## Design awards



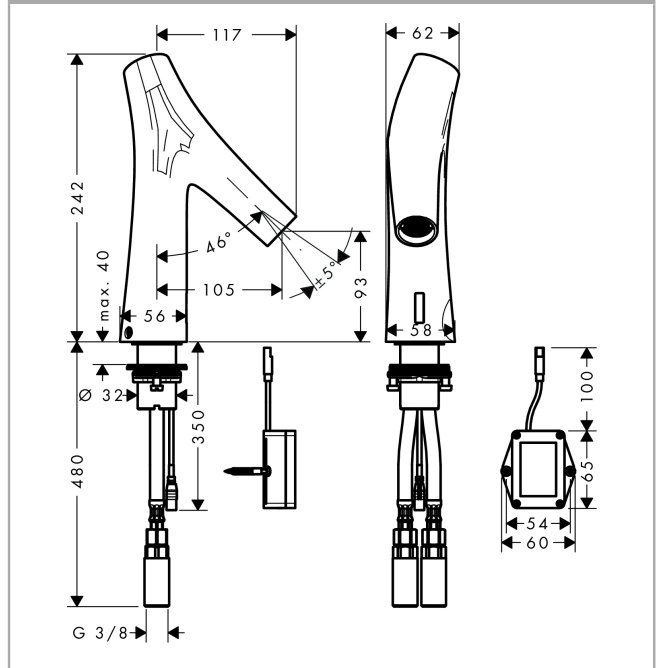
**AXOR Starck Organic**  
**Electronic basin mixer with temperature pre-adjustment battery-operated**  
 Surfaces: **Chrome** Article Number: **12172000**



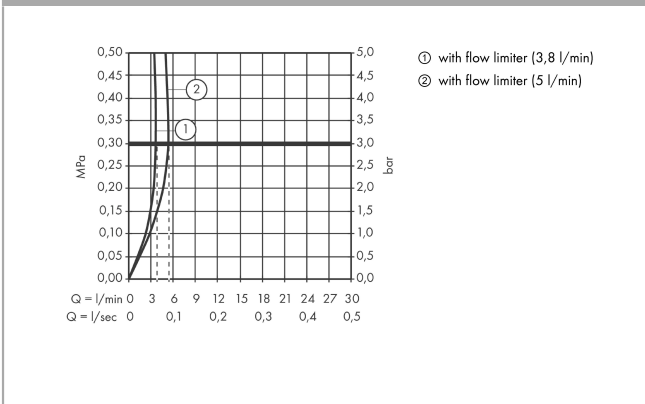
## Product image



## Scale drawing



## Flowchart





**AXOR Starck Organic**  
**Electronic basin mixer with temperature pre-adjustment battery-operated**  
 Surfaces: **Chrome** Article Number: **12172000**



## Spare part list

Year of production: >02/16

Pos.	Description	Article Number	PC	PU
1	mixer-hood	92809000	0	1
2	spray former	92408000	0	1
3	flow limiter (4 l/min)	92560000	0	1
4	special tool	95158000	0	1
5	non return valve DW 10	96456000	0	1
6	O-ring 18x1,5	98231000	0	1
7	O-ring 7x1,5	98422000	0	1
8	O-ring 17x2	98199000	0	1
9	solenoid valve	95654000	0	1
10	O-ring 41x2	98212000	0	1
11	O-ring 6x2	98458000	0	1
12	mixing shaft	92377000	0	1
13	O-ring 5x2	98215000	0	1
14	fixing set (Ø 32)	13961000	0	1
15	lever collar	97548000	0	1
16	connection hose 450 mm	92345000	0	1
17	back flow preventor cartridge with microfilter	92297000	0	1
18	sealing set	95581000	0	1
19	electronics	92346000	0	1
20	battery box	98801000	0	1
21	battery	97399000	0	1
22	screw	93272000	0	1
a	fixation extension 35 mm	13898000	0	1
b	flow limiter (5 l/min)	95311000	0	1