

AXOR Montreux
Single lever kitchen mixer 260 with swivel spout
 Surfaces: **Chrome** Article Number: **16580000**



Description

product features

- ComfortZone 260
- swivel range adjustable in 3 steps 110°, 150° or 360°
- laminar spray
- connection dimension: DN15
- flow rate 12 l/min
- ceramic cartridge
- connection type: G 3/8 connections
- suitable for continuous flow water heaters

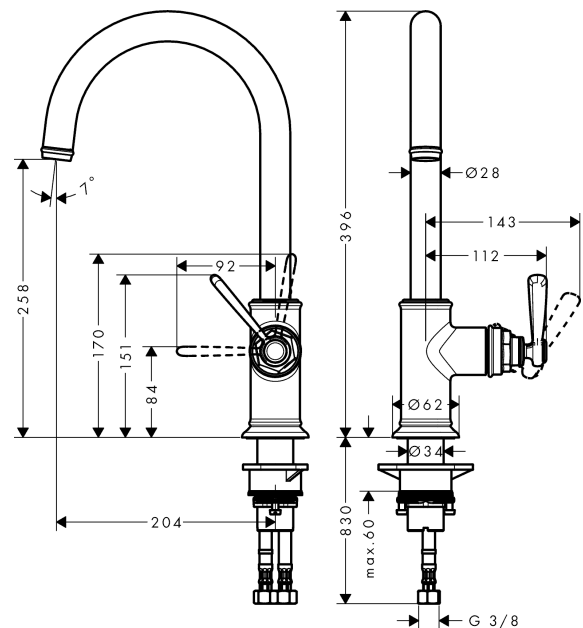
Technology



Product image



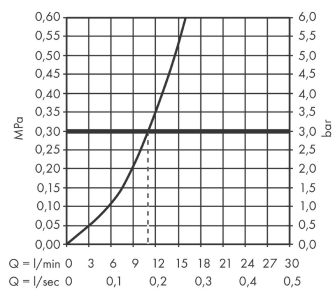
Scale drawing



AXOR Montreux
Single lever kitchen mixer 260 with swivel spout
Surfaces: **Chrome** Article Number: **16580000**



Flowchart

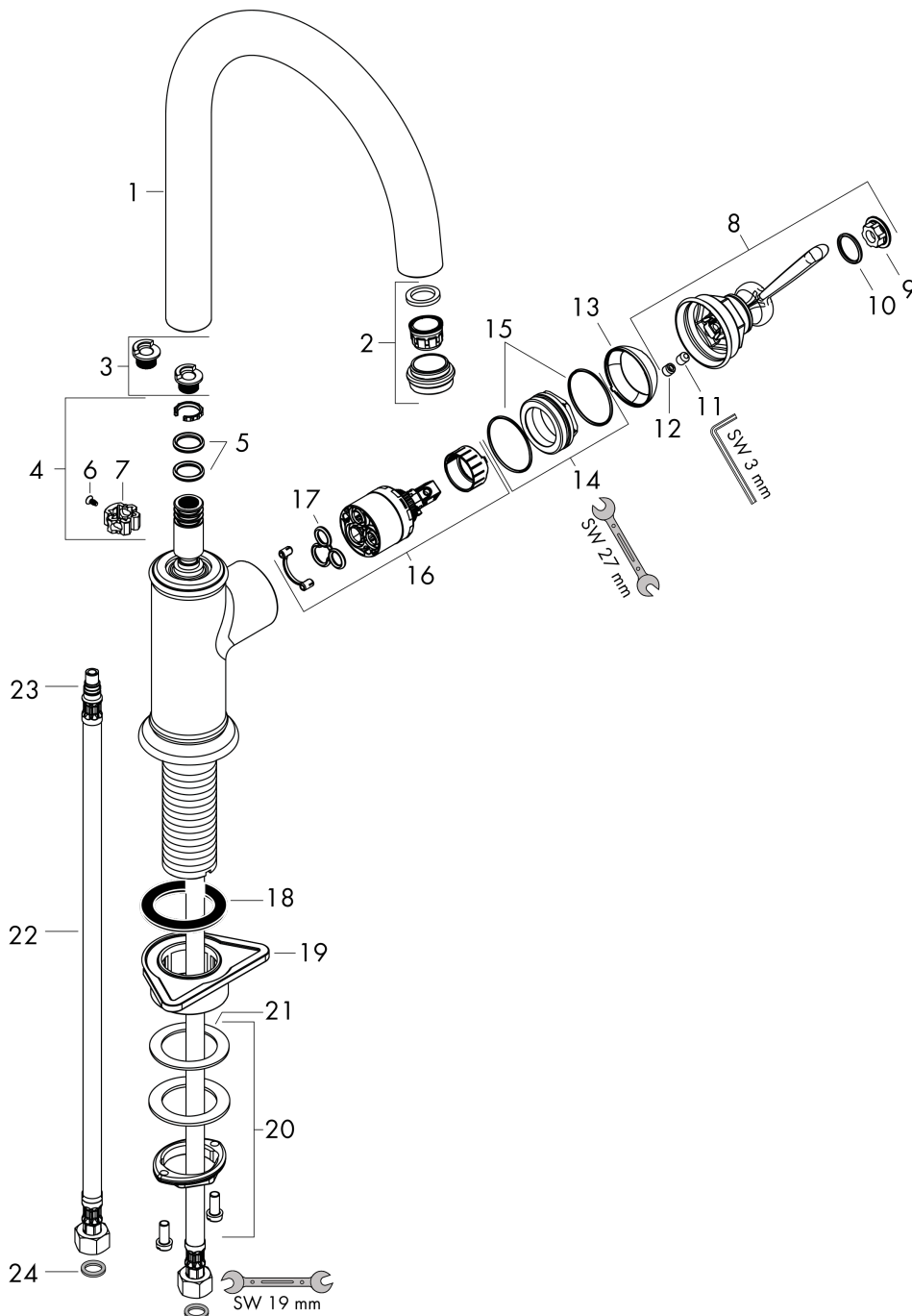


AXOR Montreux
Single lever kitchen mixer 260 with swivel spout
Surfaces: **Chrome** Article Number: **16580000**



Exploded Drawing

Year of production: >01/17



AXOR Montreux
Single lever kitchen mixer 260 with swivel spout
 Surfaces: **Chrome** Article Number: **16580000**



Spare part list

Year of production: >01/17

| Pos. | Description | Article Number | PC | PU |
|------|-------------------------------------|----------------|----|----|
| 1 | spout cpl. | 92968000 | 0 | 1 |
| 2 | aerator laminar | 92969000 | 0 | 1 |
| 3 | set of locating rings (110° / 150°) | 98486000 | 0 | 1 |
| 4 | sealing set | 92646000 | 0 | 1 |
| 5 | O-Ring 14x2,5 | 98189000 | 0 | 1 |
| 6 | screw | 97662000 | 0 | 1 |
| 7 | axialring | 97558000 | 0 | 1 |
| 8 | handle | 92963000 | 0 | 1 |
| 9 | cover cap | 92964000 | 0 | 1 |
| 10 | O-ring 16x2 | 98133000 | 0 | 1 |
| 11 | hollow set screw M6x8 | 98444000 | 0 | 1 |
| 12 | screw cover | 96762000 | 0 | 1 |
| 13 | flange | 92965000 | 0 | 1 |
| 14 | nut | 92966000 | 0 | 1 |
| 15 | O-ring 33x1,5 | 98164000 | 0 | 1 |
| 16 | cartridge, assy | 92730000 | 0 | 1 |
| 17 | seal | 95008000 | 0 | 1 |
| 18 | seal | 92582000 | 0 | 1 |
| 19 | support | 97523000 | 0 | 1 |
| 20 | fixing set (Ø 34) | 95049000 | 0 | 1 |
| 21 | lever collar | 97548000 | 0 | 1 |
| 22 | connection hose 900 mm M10x1 G3/8 | 98785000 | 0 | 1 |
| 23 | O-ring 7x1,5 | 98422000 | 0 | 1 |
| 24 | sealing set | 95581000 | 0 | 1 |