

AXOR Carlton
Overhead shower 180 1jet Classic
 Surfaces: **Brushed Nickel** Article Number: **28487820**

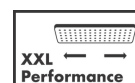


Description

product features

- shower head size: 180 mm
- overhead shower angle adjustable
- spray type: RainAir
- flow rate Rain spray (at 0.3 MPa): 18 l/min
- fully chrome-plated spray disc
- material spray disc: metal
- installation: ceiling or wall
- connection thread G 1/2
- connection dimension: DN15

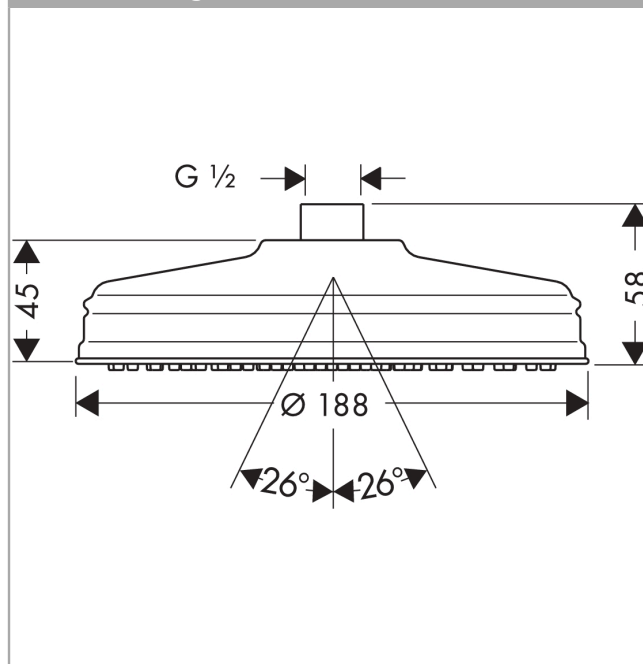
Technology



Product image



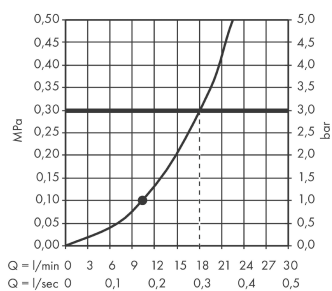
Scale drawing



AXOR Carlton
Overhead shower 180 1jet Classic
 Surfaces: **Brushed Nickel** Article Number: **28487820**



Flowchart



Q = l/min 0 3 6 9 12 15 18 21 24 27 30
 Q = l/sec 0 0,1 0,2 0,3 0,4 0,5

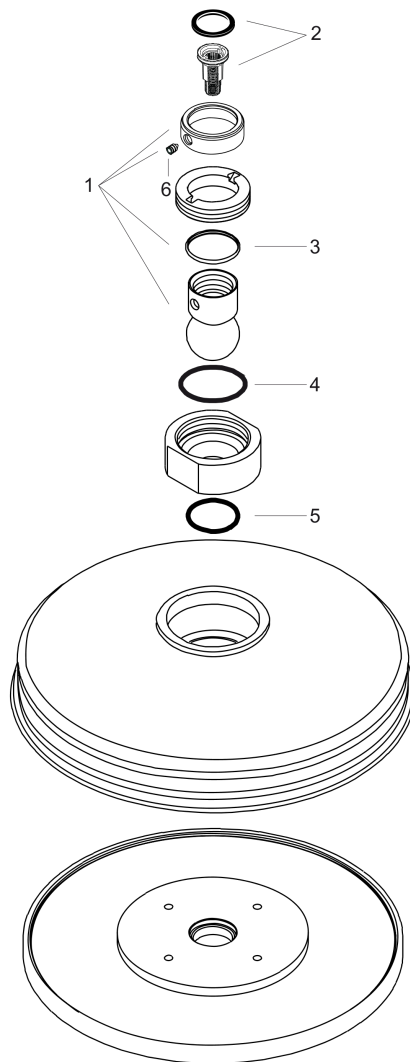
The consumption was measured in combination with the appropriate fittings (thermostat/mixer/in-wall valve) to reflect actual application in practice.

AXOR Carlton
Overhead shower 180 1jet Classic
Surfaces: **Brushed Nickel** Article Number: **28487820**



Exploded Drawing

Year of production: >05/11



AXOR Carlton
Overhead shower 180 1jet Classic
 Surfaces: **Brushed Nickel** Article Number: **28487820**



Spare part list

Year of production: >05/11

Pos.	Description	Article Number	PC	PU
1	ball joint	98941820	0	1
2	filter insert	97708XXX	0	-
3	lever collar	97536XXX	0	-
4	O-ring 23x3	98142000	0	1
5	O-ring 18x2	98181000	0	1
6	hollow set screw M4x6	97767000	0	1
a	non return valve	95699000	0	1