

**Basic set for thermostatic module Select for 3 functions**  
 Surfaces: n.a. Article Number: 18311180



## Description

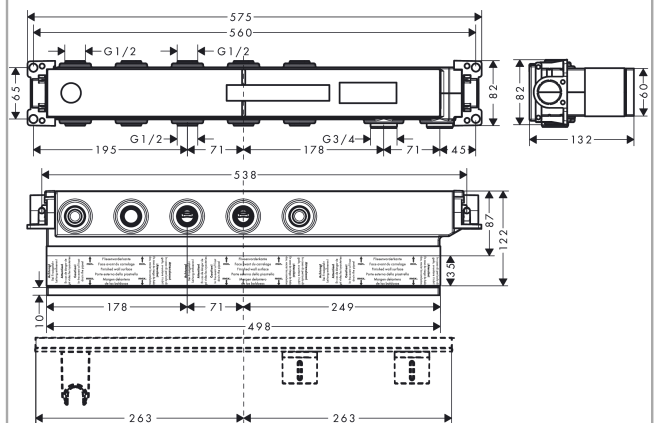
### product features

- 3 outlets
- connection thread Rp 3/4
- installation depth: 87 - 122 mm
- horizontal installation
- sound-decoupled installation
- connection dimension: DN15/DN20

## Product image



## Scale drawing

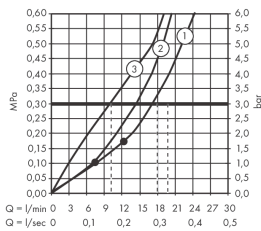


**Basic set for thermostatic module Select for 3 functions**  
 Surfaces: n.a. Article Number: 18311180

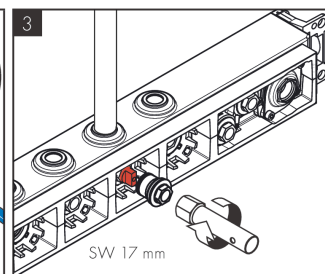
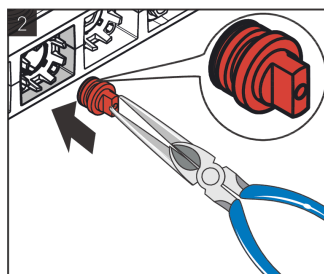
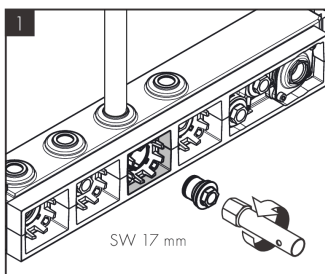
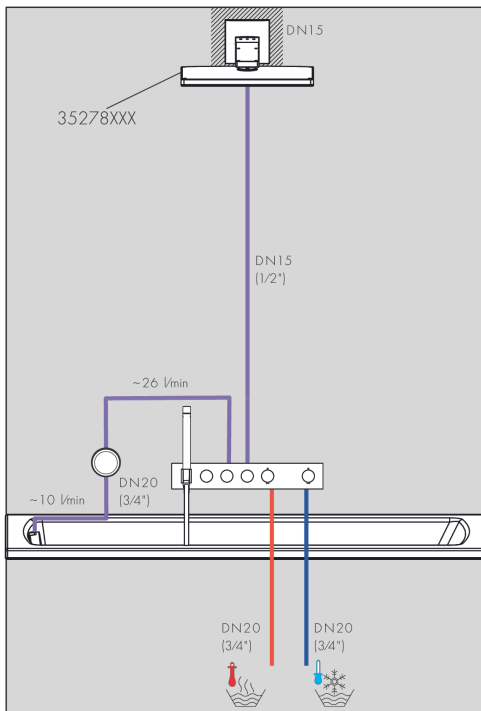
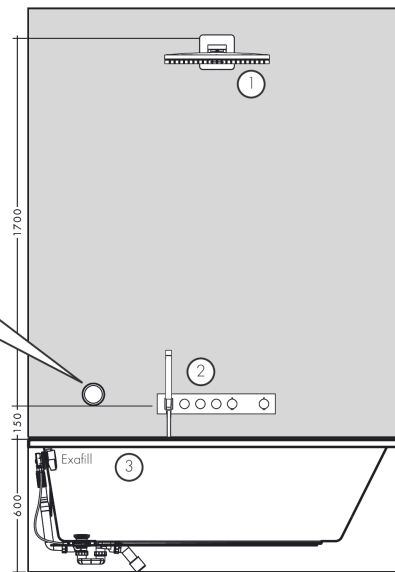


## Installation examples

AXOR Select  
 1831118X/18356XXX



Rohrunterbrecher / Disconnecteur / Pipe interrupter / Valvola antiriflusso / Interruptor de tubería / Buisbeluhter / Rørafbryder / Válvula anti-retorn / Przewyżacz rurowy / oddělovač trubky / Pretrušenie potrubia / 管道断续器 / Прерыватель трубы / Csőmegszakító / Putkikatkoin / Rörventil / Vamzdžio pertraukiklis / Ventil cijevi / Boru kesici / Valvã de oprire / Διακοπή σωλήνα / Prekinjalnik cevi / torukatkesti / Caurules atdalītājs / Element za regulaciju pritiska u cevi vazduhom / Rørafbryter / Трџбен прекъсвач / قطع الجاسورة / Nderprerës i tubit

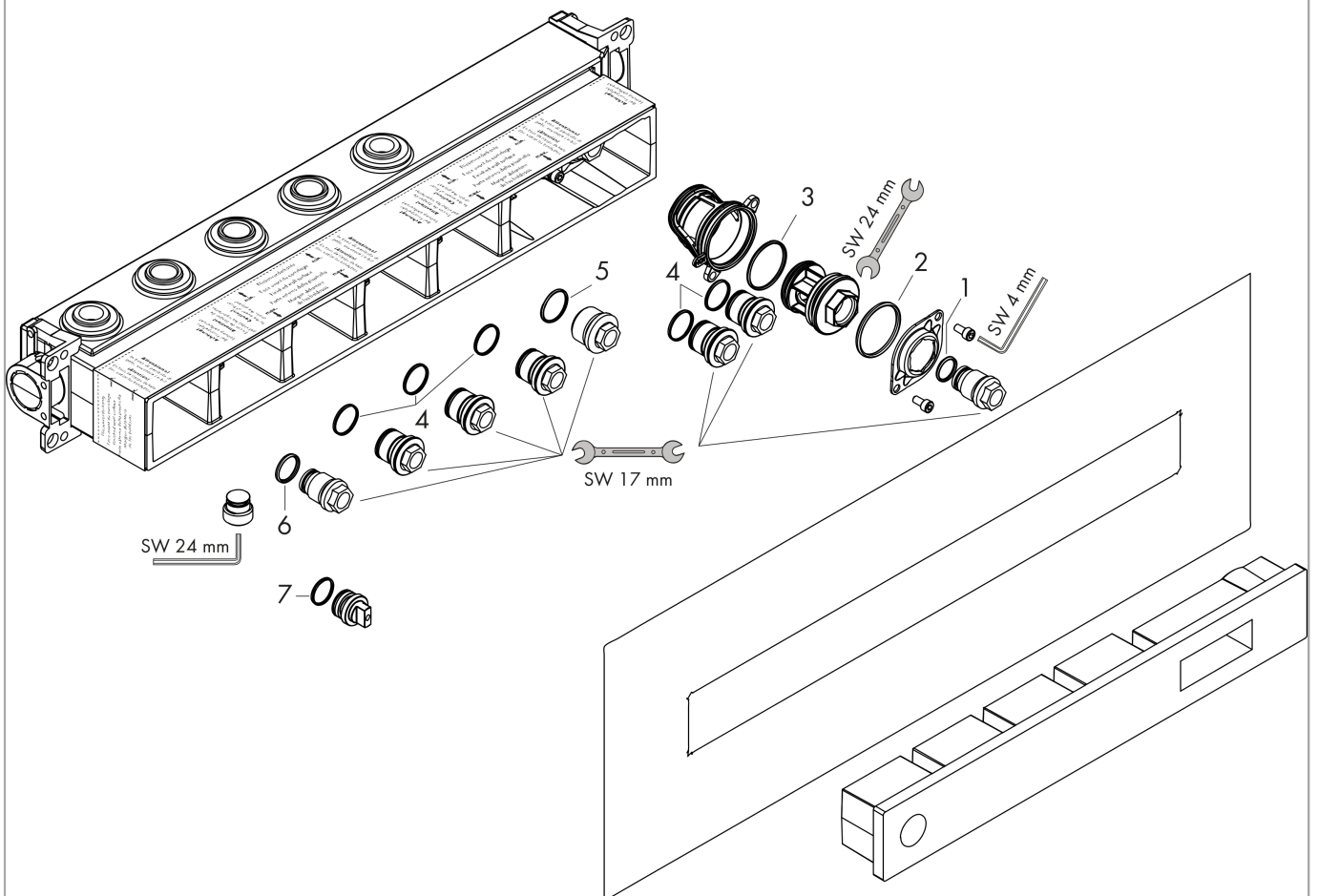


**Basic set for thermostatic module Select for 3 functions**  
Surfaces: n.a. Article Number: 18311180



## Exploded Drawing

Year of production: >10/17



**Basic set for thermostatic module Select for 3 functions**

Surfaces: n.a. Article Number: 18311180



**Spare part list**

Year of production: >10/17

Pos.	Description	Article Number	PC	PU
1	O-ring 15x2	98163000	0	1
2	O-ring 38x2,5	98198000	0	1
3	O-ring 34x2	98383000	0	1
4	O-ring 20x1,5	98197000	0	1
5	O-ring 21,95x1,78	95169000	0	1
6	O-ring 18x2	98181000	0	1
7	O-ring 17x1,5	98137000	0	1
a	extension 25 mm	93433000	0	1