

**Basic set for thermostatic module Select for 4 functions**  
 Surfaces: n.a. Article Number: 18312180



## Description

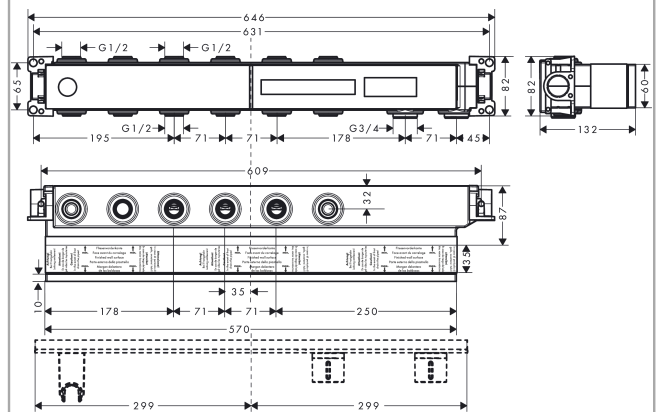
### product features

- 4 outlets
- connection thread Rp 3/4
- installation depth: 87 - 122 mm
- horizontal installation
- sound-decoupled installation
- connection dimension: DN15/DN20

## Product image



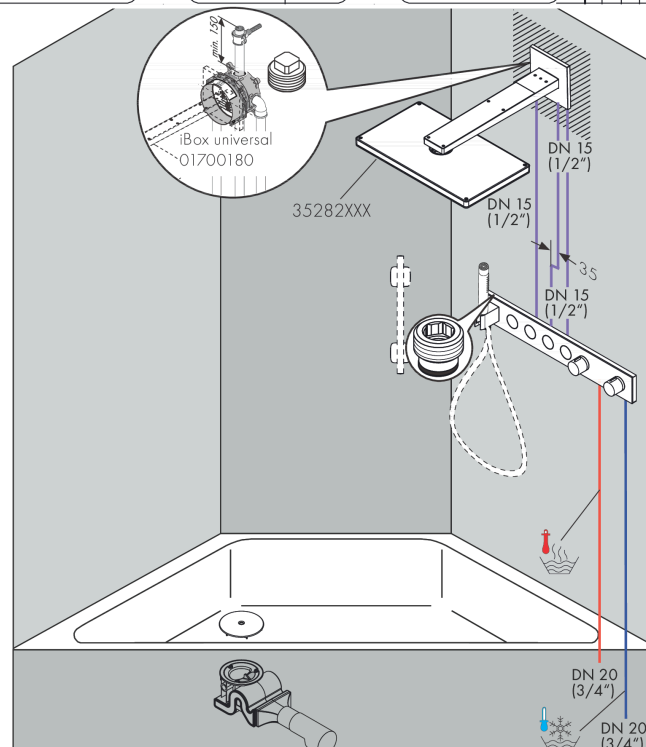
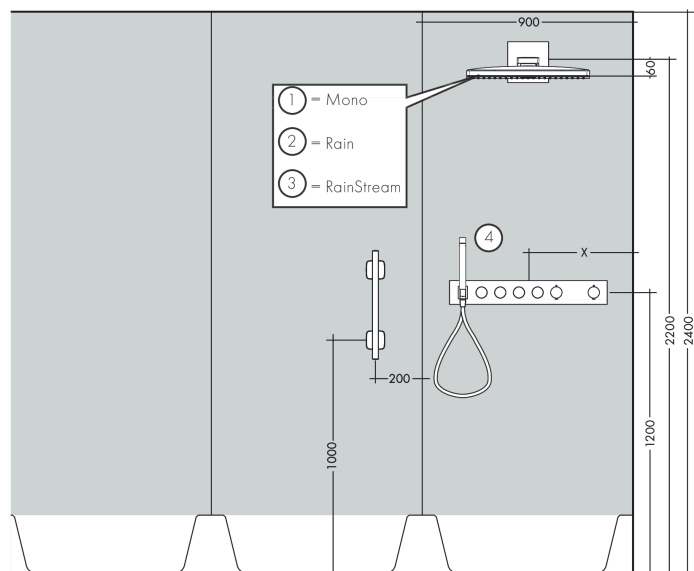
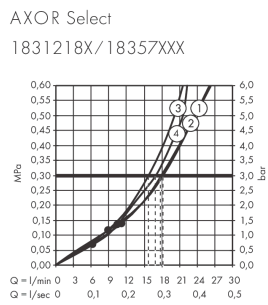
## Scale drawing



**Basic set for thermostatic module Select for 4 functions**  
 Surfaces: n.a. Article Number: 18312180



## Installation examples



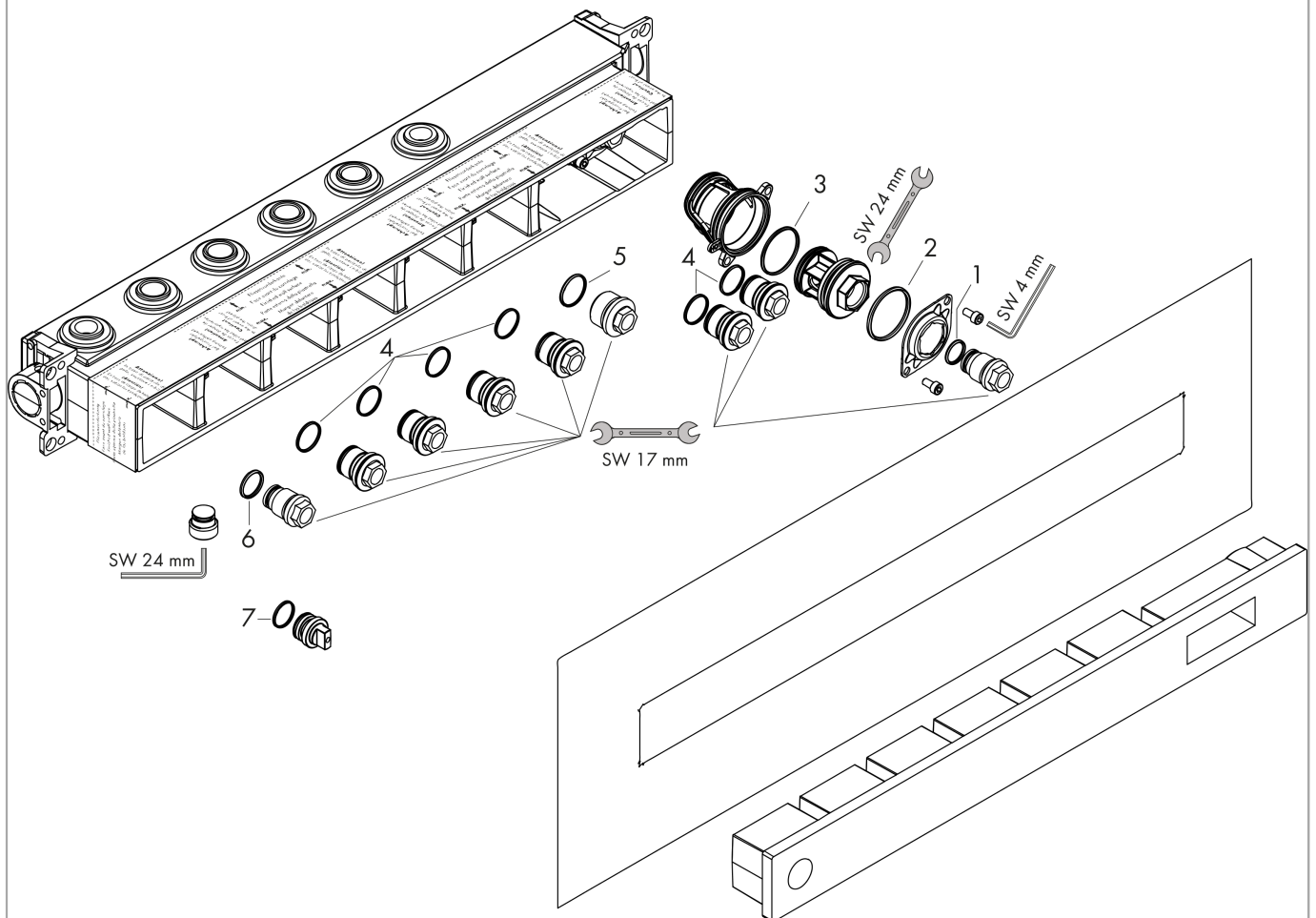
## Basic set for thermostatic module Select for 4 functions

Surfaces: n.a. Article Number: 18312180



### Exploded Drawing

Year of production: >10/17



**Basic set for thermostatic module Select for 4 functions**

Surfaces: n.a. Article Number: 18312180



**Spare part list**

Year of production: >10/17

Pos.	Description	Article Number	PC	PU
1	O-ring 15x2	98163000	0	1
2	O-ring 38x2,5	98198000	0	1
3	O-ring 34x2	98383000	0	1
4	O-ring 20x1,5	98197000	0	1
5	O-ring 21,95x1,78	95169000	0	1
6	O-ring 18x2	98181000	0	1
7	O-ring 17x1,5	98137000	0	1
a	extension 25 mm	93434000	0	1