

AXOR Uno
Single lever basin mixer floor-standing zero handle without waste set
 Surfaces: **Chrome** Article Number: **45037000**



Description

product features

- projection 260 mm
- laminar spray
- flow rate at 3 bar: 5 l/min
- ceramic cartridge
- temperature limitation adjustable
- suitable for continuous flow water heaters
- connection dimension: DN15

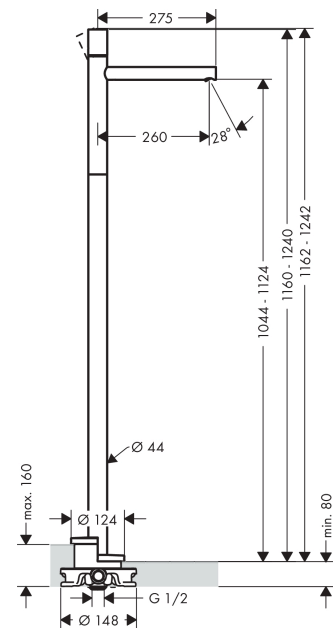
Technology



Product image



Scale drawing



AXOR Uno
Single lever basin mixer floor-standing zero handle without waste set
Surfaces: **Chrome** Article Number: **45037000**



Flowchart



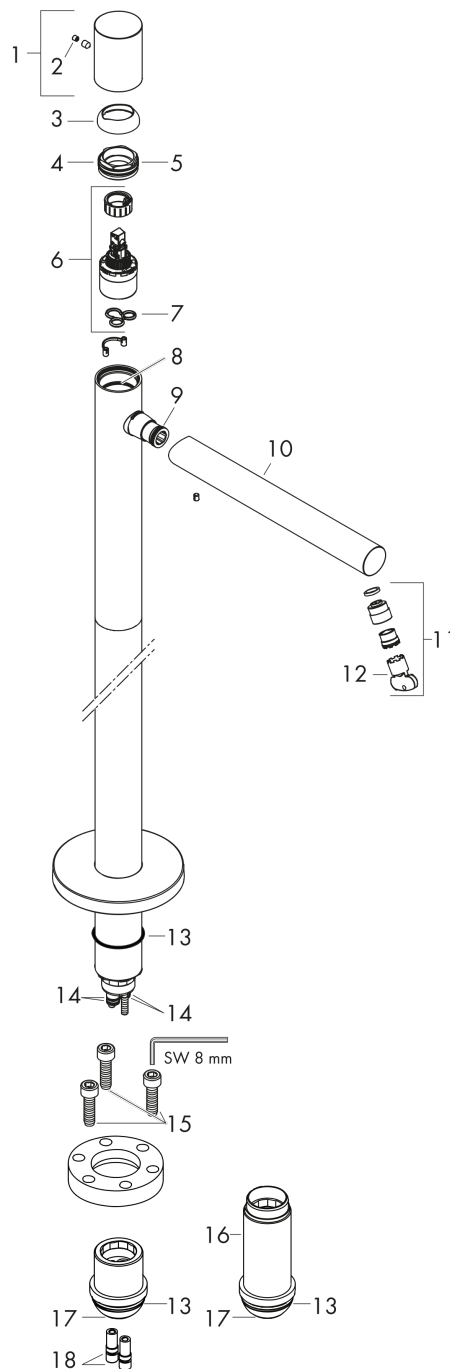
- ① With flow limiter
- ② Without flow limiter

AXOR Uno
Single lever basin mixer floor-standing zero handle without waste set
 Surfaces: **Chrome** Article Number: **45037000**



Exploded Drawing

Year of production: >04/17



AXOR Uno
Single lever basin mixer floor-standing zero handle without waste set
 Surfaces: **Chrome** Article Number: **45037000**



Spare part list

Year of production: >04/17

Pos.	Description	Article Number	PC	PU
1	-	93056000	0	1
2	screw cover	96338000	0	1
3	flange	93057000	0	1
4	nut	92966000	0	1
5	O-ring 33x1,5	98164000	0	1
6	cartridge, assy	95646001	0	1
7	seal	95008000	0	1
8	O-ring 35x2	92604000	0	1
9	O-ring 16x2	98133000	0	1
10	spout cpl.	93059000	0	1
11	aerator laminar M18x1 (5 l/min)	92896000	0	1
12	special tool	98987000	0	1
13	O-ring 44x2,5	98162000	0	1
14	O-ring 10x1,5	98123000	0	1
15	hexagon socket screw M10x35	97670000	0	1
16	extension set 60 mm	97686000	0	1
17	O-ring 29x3	98371000	0	1
18	O-ring 7x2	98419000	0	1