

**AXOR Uno**  
**Single lever bath mixer floor-standing zero handle**  
 Surfaces: **Chrome** Article Number: **45416000**



## Description

### product features

- consists of: single lever bath mixer floor standing, baton hand shower, shower hose, shower holder
- projection 264 mm
- connection type: basic set
- spray type mixer: normal spray
- spray type hand shower: Rain, MonoRain
- flow rate at 3 bar: 20 l/min
- ceramic cartridge
- min. operating pressure: 1 bar
- max. operating pressure: 10 bar
- temperature limitation adjustable
- with automatic resetting
- non-return valve
- connection dimension: DN15

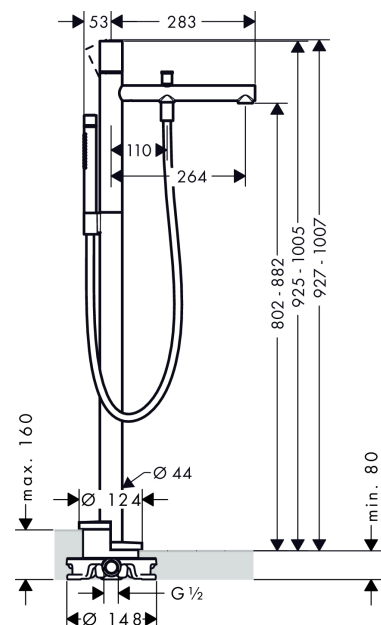
## Technology



## Product image



## Scale drawing



**AXOR Uno**  
**Single lever bath mixer floor-standing zero handle**  
Surfaces: **Chrome** Article Number: **45416000**



## Flowchart



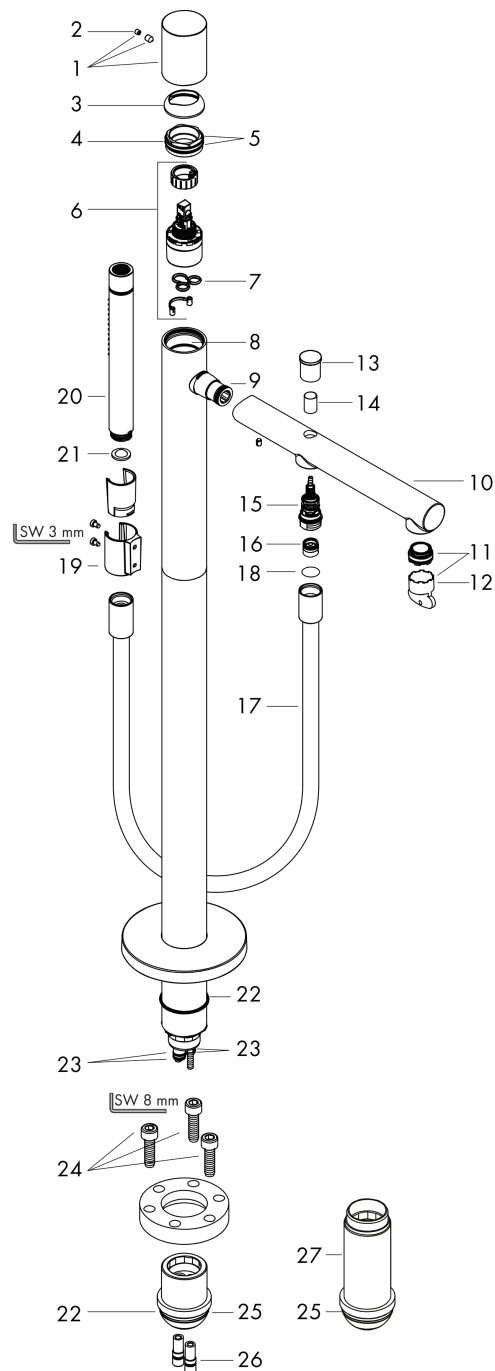
- ① Hand shower
- ② Bath spout

**AXOR Uno**  
**Single lever bath mixer floor-standing zero handle**  
 Surfaces: **Chrome** Article Number: **45416000**



## Exploded Drawing

Year of production: >04/17



**AXOR Uno**  
**Single lever bath mixer floor-standing zero handle**  
 Surfaces: **Chrome** Article Number: **45416000**



## Spare part list

Year of production: >04/17

Pos.	Description	Article Number	PC	PU
1	-	93056000	0	1
2	screw cover	96338000	0	1
3	flange	93057000	0	1
4	nut	92966000	0	1
5	O-ring 33x1,5	98164000	0	1
6	cartridge, assy	92730000	0	1
7	seal	95008000	0	1
8	O-ring 35x2	92604000	0	1
9	O-ring 16x2	98133000	0	1
10	spout cpl.	93061000	0	1
11	aerator M24x1 D	93235000	0	1
12	special tool	95290000	0	1
13	diverter knob	98705000	0	1
14	sleeve	97979000	0	1
15	selector	97978000	0	1
16	set of non return valves DW 15	94074000	0	1
17	shower hose 1,25 m	28282000	0	1
18	seal	98058000	0	1
19	shower holder, assy	96295000	0	1
20	handshower	28532000	0	1
21	filter packing	94246000	0	1
22	O-ring 44x2,5	98162000	0	1
23	O-ring 10x1,5	98123000	0	1
24	hexagon socket screw M10x35	97670000	0	1
25	O-ring 29x3	98371000	0	1
26	O-ring 7x2	98419000	0	1
27	extension set 60 mm	97686000	0	1