

AXOR Uno
2-hole rim mounted thermostatic bath mixer
Surfaces: **Chrome** Article Number: **38480000**



Description

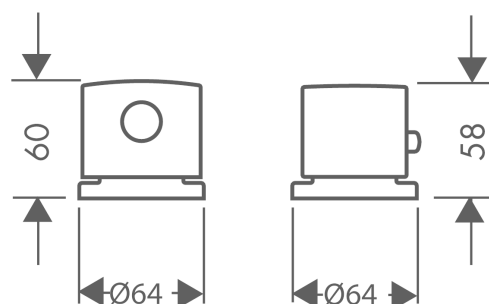
product features

- 2 outlets
- safety lock at 40° C
- temperature limitation adjustable
- suitable for remote spout
- connection type: basic set
- connection dimension: DN15

Product image



Scale drawing

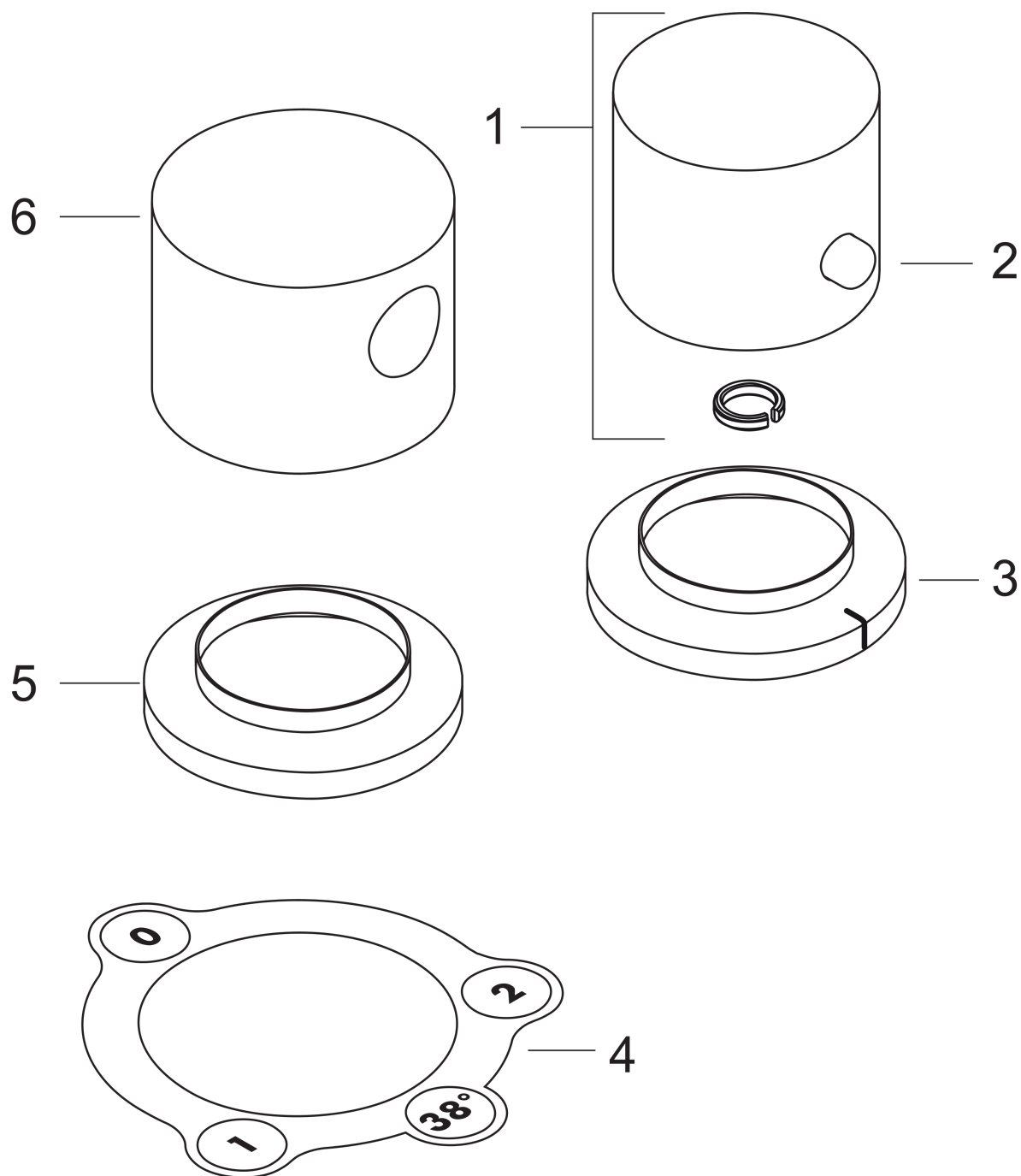


AXOR Uno
2-hole rim mounted thermostatic bath mixer
Surfaces: **Chrome** Article Number: **38480000**



Exploded Drawing

Year of production: >10/12



AXOR Uno
2-hole rim mounted thermostatic bath mixer
 Surfaces: **Chrome** Article Number: **38480000**



Spare part list

Year of production: >10/12

Pos.	Description	Article Number	PC	PU
1	handle for thermostat	38392000	0	1
2	pushbutton	97792000	0	1
3	escutcheon Ø 65 mm	98406000	0	1
4	stickers for symbols	97791000	0	1
5	escutcheon	21828000	0	1
6	handle	38993000	0	1
a	concealed item	13550180	0	1