

AXOR Uno

Single lever basin mixer for concealed installation with spout 165 mm and plate wall-mounted

Surfaces: **Chrome** Article Number: **38112000**



Description

product features

- consists of: Single lever basin mixer for concealed installation wall-mounted, waste set
- projection 165 mm
- normal spray
- flow rate at 3 bar: 5 l/min
- joystick ceramic cartridge
- suitable for continuous flow water heaters
- non-closing waste set
- connection dimension: DN15
- handle can be positioned on the right or left, depends on the basic set installation

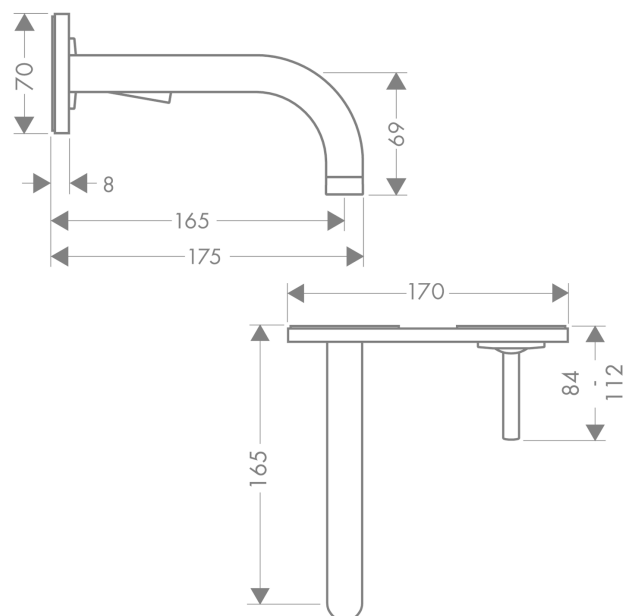
Technology



Product image



Scale drawing



AXOR Uno

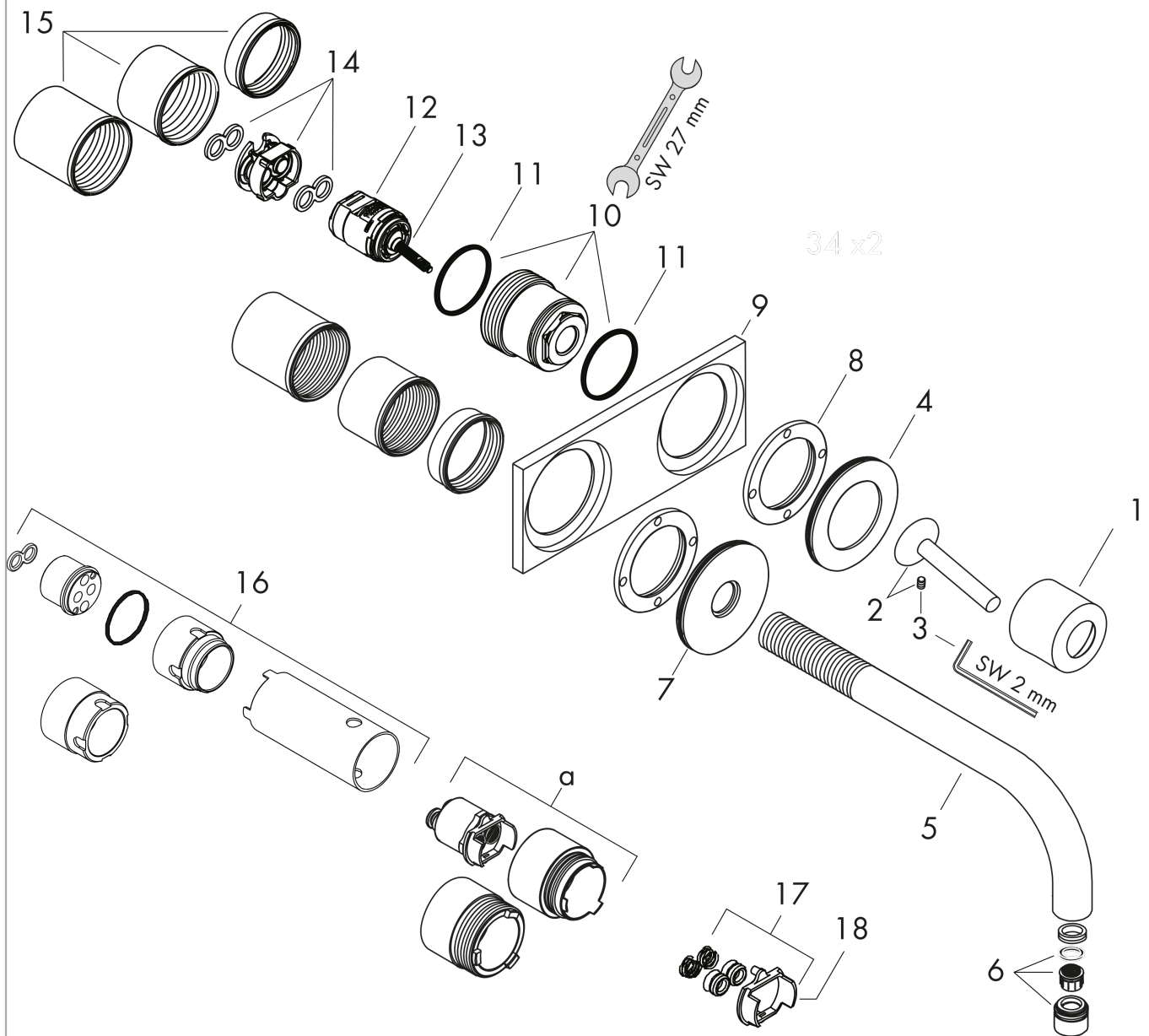
Single lever basin mixer for concealed installation with spout 165 mm and plate wall-mounted

Surfaces: **Chrome** Article Number: **38112000**



Exploded Drawing

Year of production: >01/10



AXOR Uno

Single lever basin mixer for concealed installation with spout 165 mm and plate wall-mounted

Surfaces: **Chrome** Article Number: **38112000**



Spare part list

Year of production: >01/10

Pos.	Description	Article Number	PC	PU
1	flange	96908000	0	1
2	handle	10092000	0	1
3	hollow set screw M4x6	97767000	0	1
4	escutcheon for handle	96912000	0	1
5	spout 160 mm	97369000	0	1
6	aerator M18x1 (5 l/min)	95387000	0	1
7	escutcheon for spout	96913000	0	1
8	nut	97601000	0	1
9	escutcheon	96914000	0	1
10	nut	95645000	0	1
11	O-ring 34x2	98383000	0	1
12	cartridge, assy	96339000	0	1
13	O-ring 21,95x1,78	95169000	0	1
14	adapter for cartridge	95644000	0	1
15	fixing set	97971000	0	1
16	extension set 25 mm for 13622180	31971000	0	1
17	conversion kit	95643000	0	1
18	adapter for cartridge	97280000	0	1
a	extension set for 38111180	38982000	0	1
b	pop up waste	50001000	0	1
c	aerator laminar M18x1 (7 l/min)	96911000	0	1
d	base body	13622180	0	1
e	service tool for disassembling the handle	92124000	0	1