

## AXOR Uno

Single lever basin mixer for concealed installation with spout 225 mm and plate wall-mounted

Surfaces: **Chrome** Article Number: **38115000**



### Description

#### product features

- consists of: Single lever basin mixer for concealed installation wall-mounted, waste set
- projection 225 mm
- normal spray
- flow rate at 3 bar: 5 l/min
- joystick ceramic cartridge
- suitable for continuous flow water heaters
- non-closing waste set
- connection dimension: DN15
- handle can be positioned on the right or left, depends on the basic set installation

### Technology



### Design awards

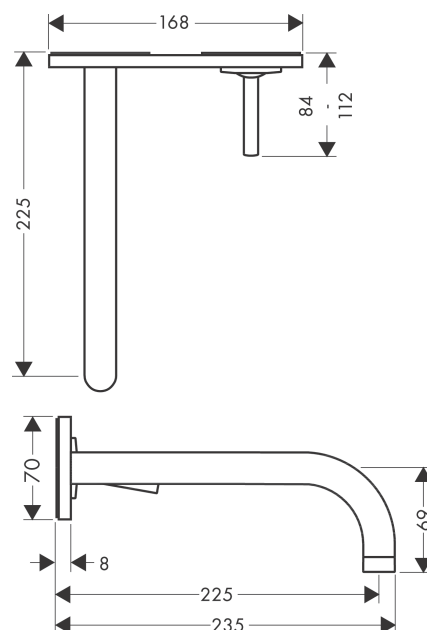


reddot design award

### Product image



### Scale drawing

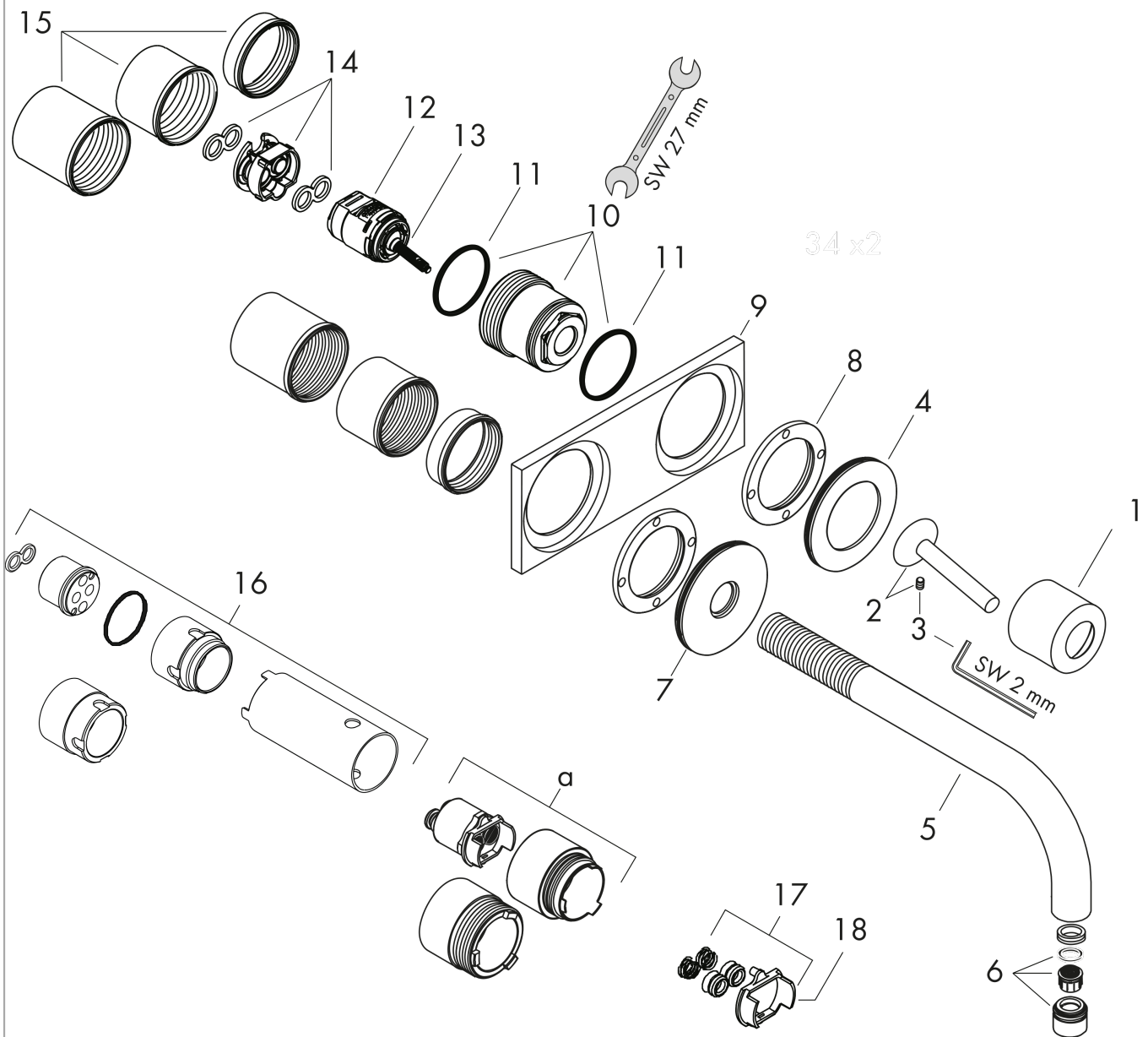


**AXOR Uno**  
**Single lever basin mixer for concealed installation with spout 225 mm and plate wall-mounted**  
 Surfaces: **Chrome** Article Number: **38115000**



## Exploded Drawing

Year of production: >01/10



## AXOR Uno

Single lever basin mixer for concealed installation with spout 225 mm and plate wall-mounted

Surfaces: **Chrome** Article Number: **38115000**



### Spare part list

Year of production: >01/10

Pos.	Description	Article Number	PC	PU
1	flange	96908000	0	1
2	handle	10092000	0	1
3	hollow set screw M4x6	97767000	0	1
4	escutcheon for handle	96912000	0	1
5	spout 220 mm	97368000	0	1
6	aerator M18x1 (5 l/min)	95387000	0	1
7	escutcheon for spout	96913000	0	1
8	nut	97601000	0	1
9	escutcheon	96914000	0	1
10	nut	95645000	0	1
11	O-ring 34x2	98383000	0	1
12	cartridge, assy	96339000	0	1
13	O-ring 21,95x1,78	95169000	0	1
14	adapter for cartridge	95644000	0	1
15	fixing set	97971000	0	1
16	extension set 25 mm for 13622180	31971000	0	1
17	conversion kit	95643000	0	1
18	adapter for cartridge	97280000	0	1
a	extension set for 38111180	38982000	0	1
b	pop up waste	50001000	0	1
c	aerator laminar M18x1 (7 l/min)	96911000	0	1
d	base body	13622180	0	1
e	service tool for disassembling the handle	92124000	0	1