

All dimensions shown are in millimetres

- Test pressure: **14.9 BAR**
- Max working pressure: **11.5 BAR**
- Max working temperature: **90° C**
- All steel construction: **dia 23mm x 1mm tubes**
30x40mm D-shaped headers
- Connections: **½ inch BSP underside tappings**

For optional **Supplementary Heater** see separate sheet as fitting this will affect pipe centres. Please check before drilling.

Not suitable for use on domestic hot water system

Heat output determined in accordance with EN 442

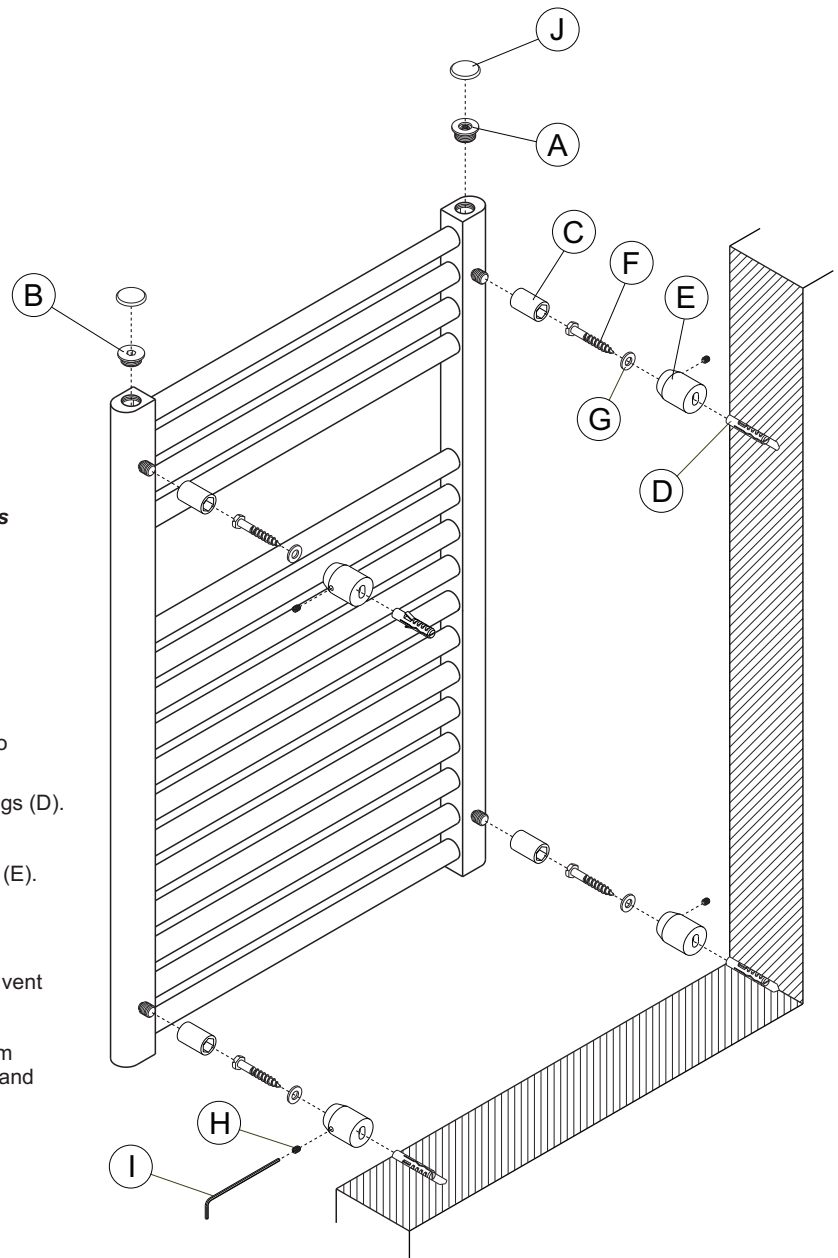
Manufactured for Bisque by Zehnder

Model	Output - White		Output - Chrome		n	Water		Height ± 2mm	Length ± 2mm	Tapping Centres ± 2mm	Fixing Centres ± 2mm
	ΔT=30K Watts	ΔT=50K Watts	ΔT=30K Watts	ΔT=50K Watts		Content litres	Weight kg				
DEL-80-50	199	379	146	277	1.26	3.9	6	786	500	456	640
DEL-120-50	289	552	211	403	1.27	5.7	9	1226	500	456	1080
DEL-180-50	436	830	318	606	1.26	8.7	14	1866	500	456	1720
DEL-80-60	235	448	172	327	1.26	4.6	7	786	600	556	640
DEL-120-60	340	648	249	473	1.26	6.6	10	1226	600	556	1080
DEL-180-60	516	978	377	714	1.25	9.9	16	1866	600	556	1720

Tools & Material Required

Suitable valves
 PTFE tape
 Silicone thread sealant
 Tape measure
 Allen key - 13mm & 12mm (when installing Bisque valves)
 Spanner - 13mm & 14mm
 Screwdriver - crosshead & flathead
 Pliers
 Electric drill
 Masonry drill bit
 Spirit level
 Stepladder (for taller radiators)

Key	Component	Qty
A	Air Vent - 1/2"	1
B	Blanking Plug	1
C	Boss	4
D	Wall Plug	4
E	Bracket	4
F	Screw, 6mm dia x 50mm	4
G	Washer	4
H	Grub Screw	4
I	Allen Key	1
J	Cover Cap	2



Assembly Instructions

Sufficient PTFE tape must be applied to valve-tail threads prior to their installation.

Silicone thread sealant should be applied to all threaded components manufactured with 'O-rings'!

- Fit valve tails, using correct size Allen key.
 - Fit air vent (A), blanking plug (B) & cover caps (J).
 - Screw bosses (C) to studs on the back of the radiator.
 - Accurately mark out bracket holes on wall using spirit level, to dimensions as shown on Technical Data Sheet.
 - Drill four holes to a minimum depth of 65mm & insert wall plugs (D).
 - Attach brackets (E) to wall with screws (F) & washers (G).
 - Hang radiator onto wall by inserting bosses (C) into brackets (E).
 - Tighten grub screws (H) with Allen key (I).
 - Plumb radiator to heating circuit with flow opposite air vent.
 - Air vent is recessed so flathead screwdriver must be used to vent radiator.
- This radiator should be installed onto a central heating system that has been cleaned/flushed and contains water treatment and inhibitors in accordance with BS7593.