

Bath - CL.1

bath spout without diverter for deck mounting - polished chrome

Article number: 13 612 705-00

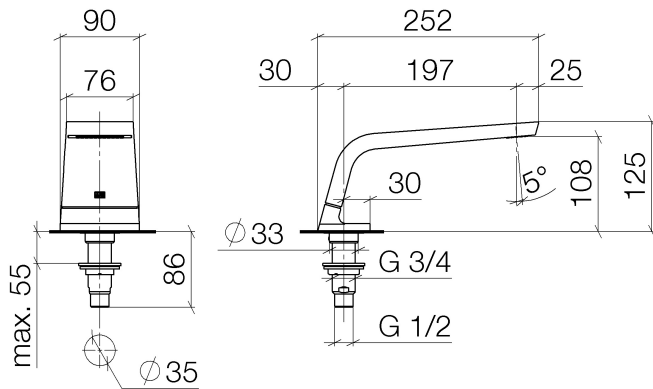


- 200 mm projection
- rectangular spray pattern with 55 individual jets
- height of mixer 125 mm
- height up to aerator 108 mm
- hole diameter 35 mm
- 1/2" connection
- max. flow 24.6 l/min at 3 bar flow pressure
- Fittings group as per DIN 4109: 2
- Intrinsic protection against back flow.



polished chrome

Dimensional drawing



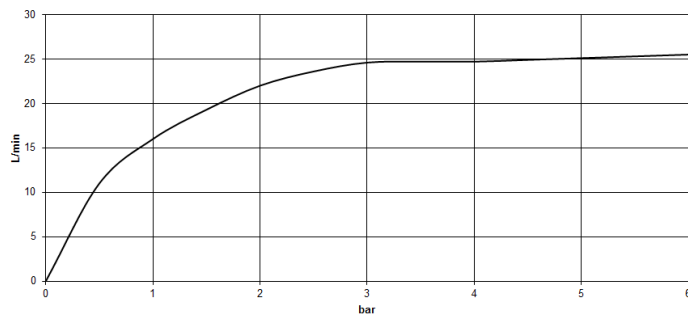
All details in mm / inch = mm x 0.0394

Bath - CL.1

bath spout without diverter for deck mounting - polished chrome

Article number: 13 612 705-00

Flow rate chart



Other finish variants



platinum matt

13 612 705-06

Other finishes on request (x-tra Service)