

Washbasin - CYO

Single-lever basin mixer with pop-up waste - polished chrome

Article number: 33 500 811-00

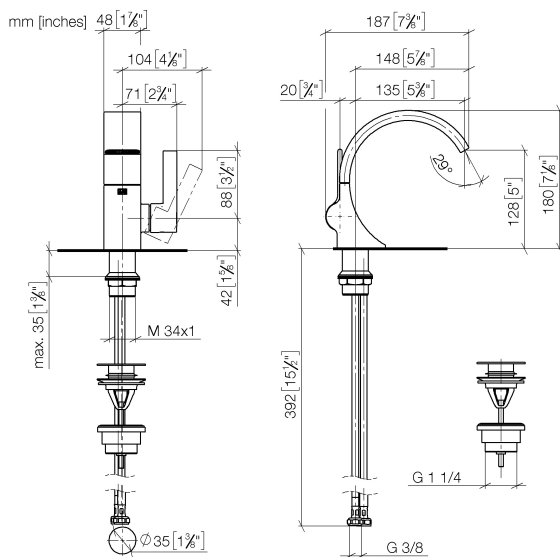


- 143 mm projection
- fixed spout
- rectangular, air-enriched flow
- height of mixer 180 mm
- height up to aerator 128 mm
- hole diameter 35 mm
- 2x screw-in M 8 x 1 pressure hose, leak-tested
- max. flow 4.5 l/min
- lead-free
- Only suitable for basins with an overflow.
- Must not be combined with continuous-flow heaters heaters.
- Distance from centre of tap hole to wall min. 55 mm or to front edge of basin min. 40 mm.



polished chrome

Dimensional drawing





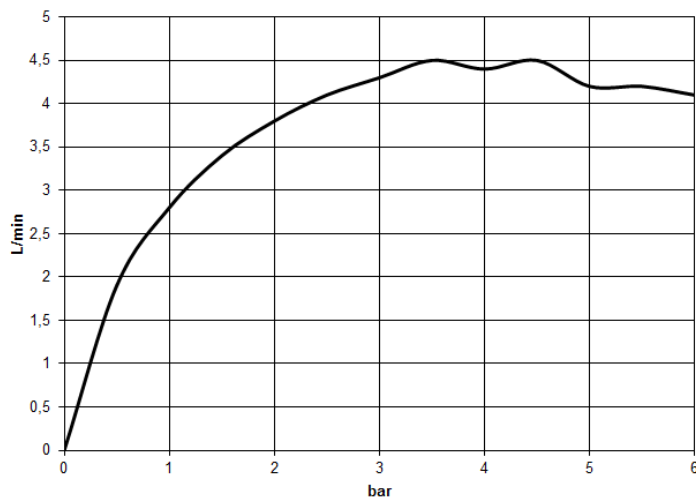
Washbasin - CYO

Single-lever basin mixer with pop-up waste - polished chrome

Article number: 33 500 811-00

All details in mm / inch = mm x 0.0394

Flow rate chart





Washbasin - CYO

Single-lever basin mixer with pop-up waste - polished chrome

Article number: 33 500 811-00

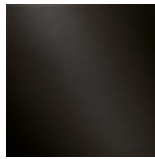
Other finish variants



platinum matt
33 500 811-06



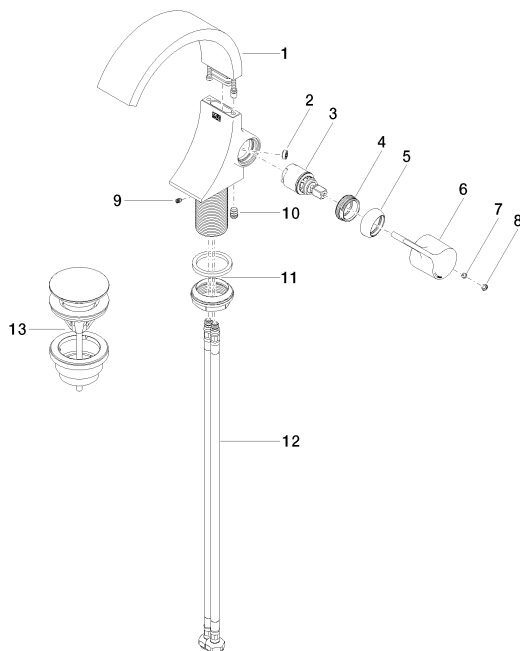
brushed Durabrass
33 500 811-28



Dark Platinum matt
33 500 811-99

Other finishes on request (x-tra Service)

Spare parts list



No.	Item Number	Name	Quantity used
1	90 11 70 012 01-00	spout	1
2	09 23 01 172 90	flow reducer	1
3	90 15 05 044 00 90	cartridge	1
4	09 24 04 266 90	nut	1
5	09 28 30 021-00	cover	1
6	09 20 80 024-00	handle	1
7	09 31 11 030 90	pin	1
8	90 31 20 087 00-00	plug	1
9	09 31 11 008 90	pin	1
10	90 31 20 129 00 90	plug	1
11	04 23 10 044 07 90	fixing set	1
12	04 30 04 100 00 90	hose	2
13	10 125 970-00	Basin Waste with push fastening 1 1/4" - polished chrome	1