

Kitchen sink - Lot

BAR TAP Two-hole mixer with individual rosettes - platinum matt

Article number: 32 805 680-06

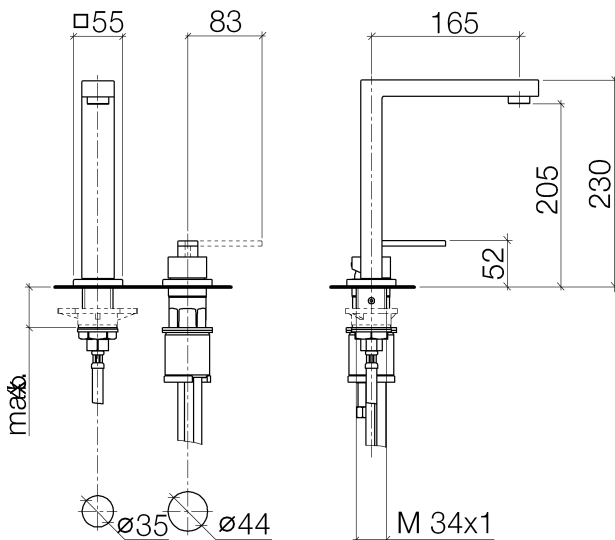


- 165 mm projection
- pivotable spout 360°
- air-enriched flow
- height of mixer 230 mm
- height up to laminar flow regulator 205 mm
- individual rosette 55 x 55 mm
- hole diameter spout 35 mm
- single-lever mixer hole diameter 44 mm
- max. flow 8 l/min at 3 bar flow pressure
- lead-free
- Fittings group as per DIN 4109: 1
- Operating unit can be positioned freely.



platinum matt

Dimensional drawing



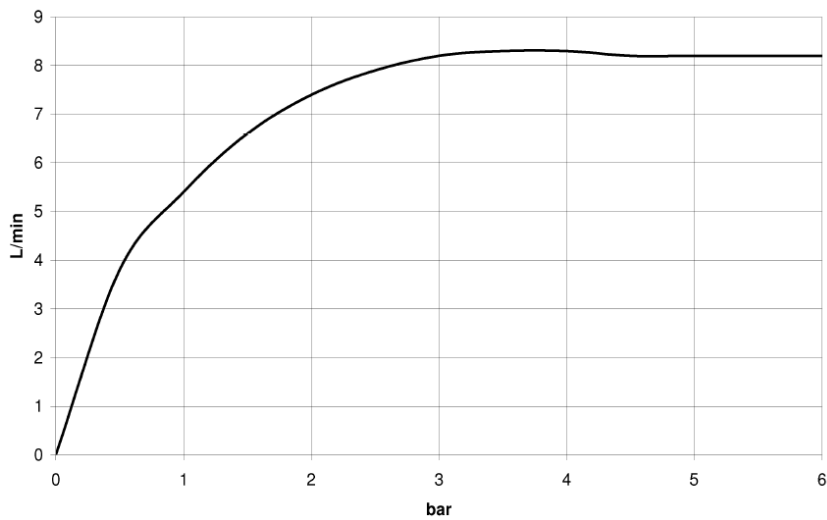
All details in mm / inch = mm x 0.0394

Kitchen sink - Lot

BAR TAP Two-hole mixer with individual rosettes - platinum matt

Article number: 32 805 680-06

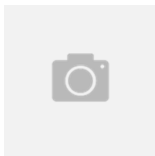
Flow rate chart



Other finish variants



polished chrome
32 805 680-00



Dark Platinum matt
32 805 680-99

Other finishes on request (x-tra Service)