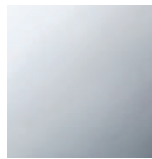


Kitchen sink - Tara Classic
HOT & COLD WATER DISPENSER - polished chrome
 Article number: 17 861 888-00



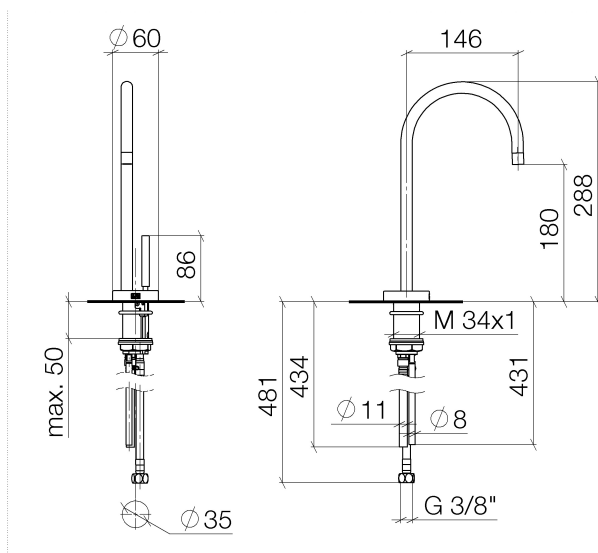
- 146 mm projection
- rigid, thermally insulated spout
- laminar flow
- height of mixer 288 mm
- height up to laminar flow regulator 180 mm
- hole diameter 35 mm
- provides filtered, hot water up to 93°C
- provides filtered, cold water
- max. flow 2 l/min at 3 bar flow pressure
- ready-to-use control unit for wall mounting (135mm x 160mm x 60mm)
- electronic magnetic valve
- 100-230 V, 50-60 Hz, 18 W power supply unit, incl. country-specific adapter set
- lead-free
- Fittings group as per DIN 4109: 1
- A minimum flow pressure of 3 bar is necessary for the HOT & COLD WATER DISPENSER to work perfectly in conjunction with a hot water tank and filter.
- The filter cartridge must be changed every six months. The installation instructions contain further information for guidance.
- Detailed planning information and technical data can be found at www.dornbracht.com/professional



polished chrome

Miscellaneous items are required for this article.

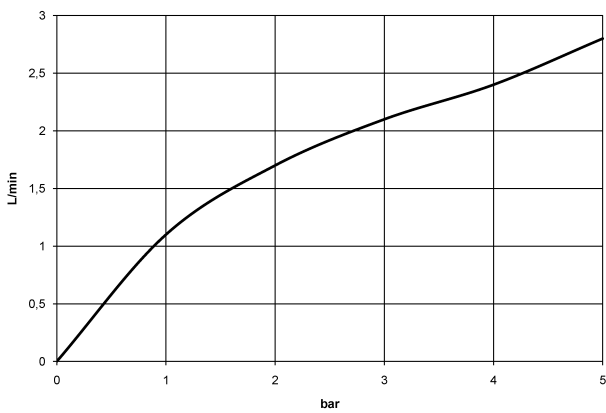
Dimensional drawing



Kitchen sink - Tara Classic
HOT & COLD WATER DISPENSER - polished chrome
Article number: 17 861 888-00

All details in mm / inch = mm x 0.0394

Flow rate chart



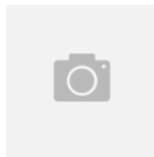
Other finish variants



platinum matt
17 861 888-06



Cyprum
17 861 888-49



Dark Platinum matt
17 861 888-99

Other finishes on request (x-tra Service)



Kitchen sink - Tara Classic
HOT & COLD WATER DISPENSER - polished chrome
Article number: 17 861 888-00

Required miscellaneous



12 893 970 90

Hot water tank incl. filter -