

Kitchen sink - Tara

POT FILLER Cold-water valve - polished chrome

Article number: 30 800 875-00



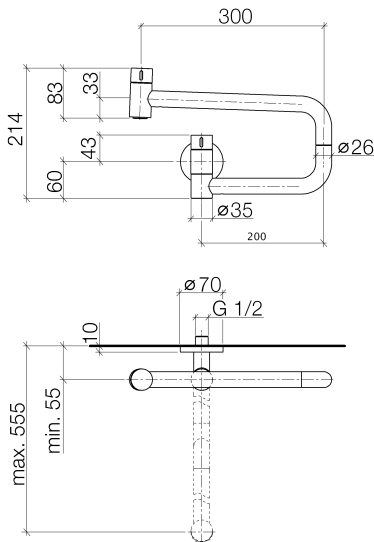
- 500 mm projection
- pivoting spout
- laminar flow
- cold water only
- max. flow 11.4 l/min at 3 bar flow pressure
- lead-free
- Fittings group as per DIN 4109: 1



polished chrome

Discontinued articles/items in stock until 30.09.2019

Dimensional drawing



All details in mm / inch = mm x 0.0394



Kitchen sink - Tara

POT FILLER Cold-water valve - polished chrome

Article number: 30 800 875-00

Flow rate chart

